



Solenoid valve 2/2 way N.C. With pilot control

21EN2K0B105

÷

21EN4K0B105

PRESENTATION:

S.V. with pilot control for interception of fluids compatible with the construction materials.

A minimum operational pressure of 0,1 bar is required.

The materials used and the tests carried out ensure maximum reliability and duration.

USE: Automation
Heating

PIPES 1/4 NPT - 1/2 NPT

COILS: 8W - Ø 13
 BDA - BDS - BSA 155°C (class F)
 BDP 160°C (high temperature)
 BDF - BDV 180°C (class H)
 12W - Ø 13
 UDA 155°C (class F)
 14W - Ø 13
 GDH - GDV 180°C (class H)

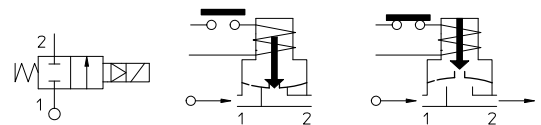
MOULDING AND BOBBIN ARE MADE BY 100% VIRGIN MATERIAL.

Max. allowable pressure (PS) 20 bar
 Environment temperature:
 with coils class **F** or high temperature - 10°C + 60°C
 with coils class **H** - 10°C + 80°C



Gaskets	Temperature		Medium
B =NBR (nitrile rubber)	- 10°C	+ 90°C	Air, inert gas, water
V =FKM (fluoroelastomer)	- 10°C	+140°C	Mineral oils (2°E), gasoline gas oil

For seals other than NBR replace the letter "B" with the ones corresponding to the other seals. E.I. 21EN2K0V105.



Raccordo ANSI/ASME BI.20.1	Code	Max viscosity		Ø mm	Kv l/mn	Power (watt)	Pressure		
		cSt	°E				min bar	M.O.P.D. AC bar DC bar	
1/4 NPT	21EN2K0B105	12	~ 2	10,5	20	8	0,1	20	10
						12			20
						14			20
3/8 NPT	21EN3K0B105	12	~ 2	10,5	25	8	0,1	20	10
						12			20
						14			20
1/2 NPT	21EN4K0B105	12	~ 2	10,5	25	8	0,1	20	10
						12			20
						14			20

Note

Available on request and with minimum quantities.

The "ODE" reserves the right to carry out technical and aesthetic modifications without prior notification.

MATERIALS:

Body	Brass - UNI EN 12165 CW617N
Armature tube	Stainless steel AISI series 300
Fixed core	Stainless steel AISI series 400
Plunger	Stainless steel AISI series 400
Phase displacement ring	Copper - Cu 99,9%
Spring	Stainless steel AISI series 300
Seal	Standard: B=NBR On request: V=FKM
Orifice	Brass - UNI EN 12165 CW617N

On request:	Pg 9 or Pg 11
Connector	ISO 4400
Connector conformity	ISO 4400

FEATURES:

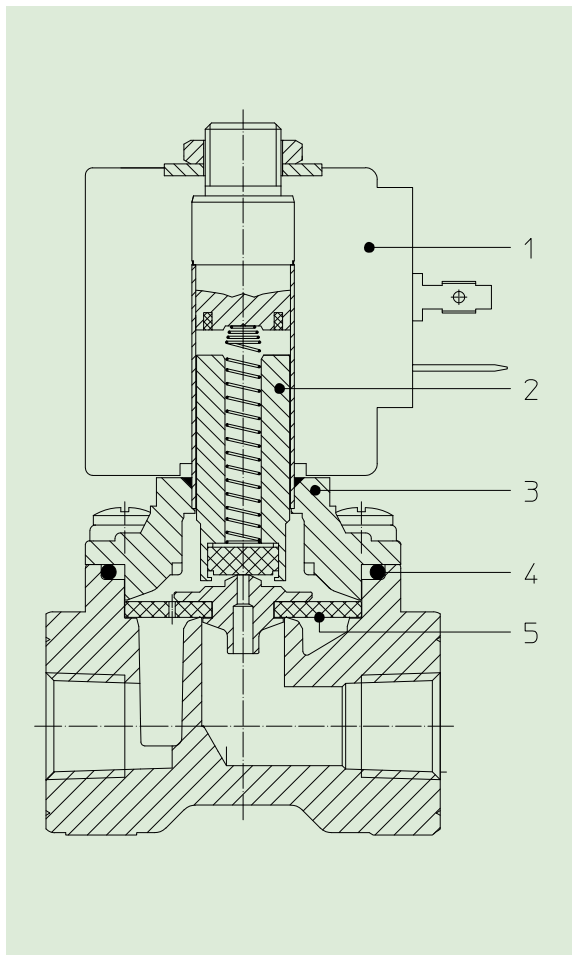
Electrical conformity	IEC 335
Protection degree	IP 65 EN 60529 (DIN 40050) with coil fitted by connector.

SPARE PARTS:

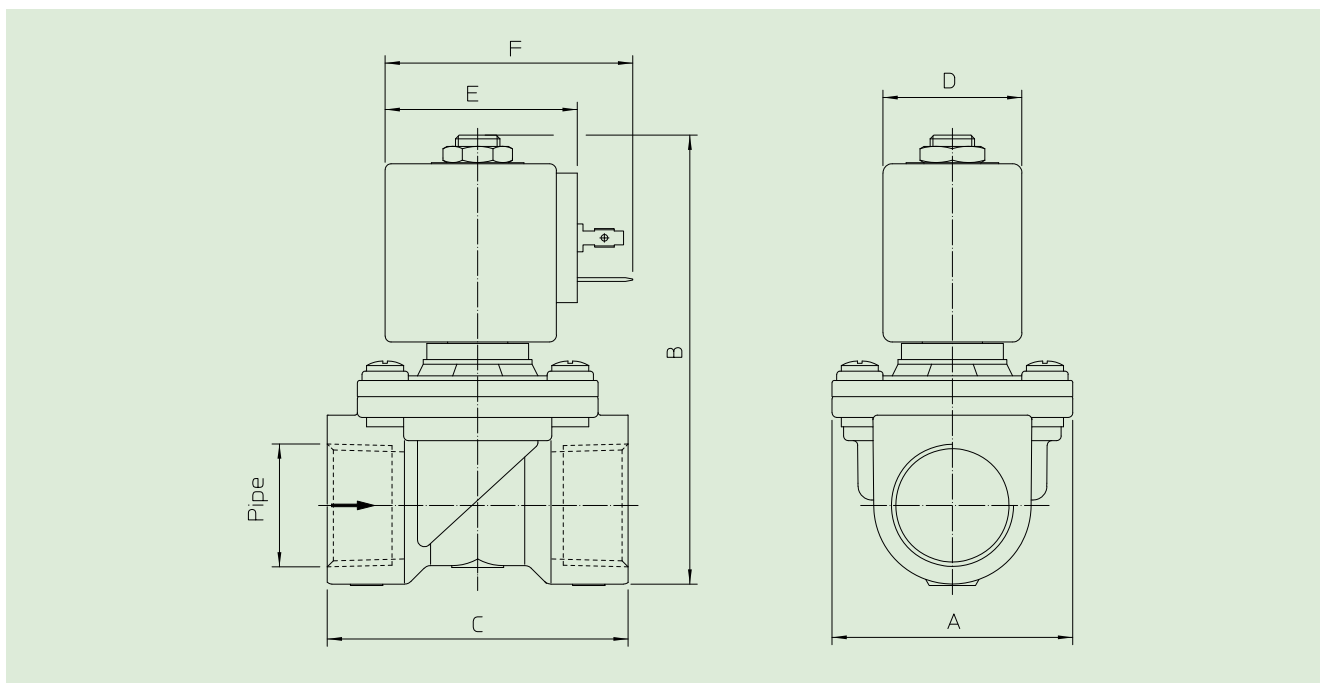
1. **Coil:**
See coils list
2. **Complete plunger:**
Code R450898/B
3. **Complet cover with armature tube without gasket:**
Code R450671
4. **Gasket O-Ring:**
Code 990302/BS
5. **Complete diaphragm:**
Code R452385/B

MAINTENANCE KIT:

KTGEN2K0B10=2+4+5



DIMENSIONS:



Type	Pipe	A mm	B mm	C mm
21EN2K0B105	1/4 NPT	40	90	50
21EN3K0B105	3/8 NPT			72
21EN4K0B105	1/2 NPT			72

COIL	POWER ABSORPTION		TYPE	DIMENSIONS		
	W	Inrush VA ~		Hold VA ~	D mm	E mm
8 W	25	14,5	B	30	42	54
12 W	35	25	U	36	48	60
14 W	43	27	G	52	55	67