



Solenoid valve 2/2 way N.C. Combined operation Explosion proof - Atex Ex d

21HT3KIV110
÷
21HT6KIV250

PRESENTATION:

Combined operation S.V. for interception of fluids compatible with the construction materials. Aluminium coil housing, explosion proof "Ex d". Electrical and electromechanical components according to Atex Directive 94/9/CE.

Minimum operational pressure is not required.

The materials used and the tests carried out ensure maximum reliability and duration.

USE: Potentially explosive atmospheres
Zone 1, 2, 21, 22

PIPES: G 3/8 - G 1

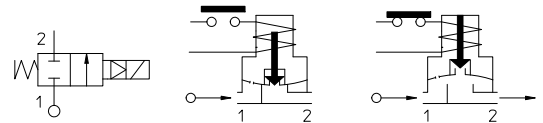
COIL: 8W - Ø 13
BDA 155°C (class F)

Max. allowable pressure (PS) 16 bar
Housing ambient temperature - 10°C + 60°C



Gaskets	Temperature		Medium
V =FKM+ PA (fluorelastomer+poliamiyde)	- 10°C	+80°C	Mineral oils (2°E),gasoline gas oil
B =NBR (nitrile rubber)	- 10°C	+ 80°C	Air, inert gas, water

For seals other than FKM replace the letter "V" with the ones corresponding to the other seals. 21HT3KIB110.



Pipe ISO 228/1	Code	Max viscosity		Ø mm	Kv l/mn	Power watt	Pressure		
		cSt	°E				min bar	M.O.P.D AC bar DC bar	
G 3/8	21HT3KIV110	12	~ 2	11	20	8	0	14	5
G 1/2	21HT4KIV160			16	40				
G 3/4	21HT5KIV160			25	120				
G 1	21HT6KIV250			6	-				

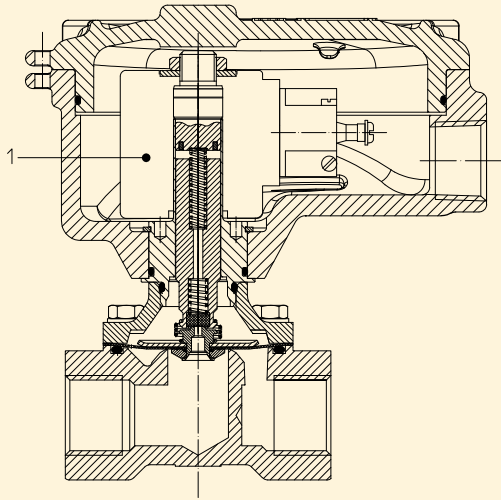


(According to Directive 94/9/CE ATEX)
II 2G Ex d IIC T6 or T5 Gb
II 2D Ex tb IIIC T80°C or T95°C Db IP67
(T_{amb}:- 40°C ≤ +60°C)

Note

Available on request and with minimum quantities.

The "ODE" reserves the right to carry out technical and aesthetic modifications without prior notification.



MATERIALS:

Body Brass - UNI EN 12165 CW617N
Armature tube Stainless steel AISI series 300
Fixed core Stainless steel AISI series 400
Plunger Stainless steel AISI series 400
Phase displacement ring Copper - Cu 99,9%
Spring Stainless steel AISI series 300
Seal Standard: V=FKM+PA
 On request: Y=NBR+PA
Orifice Brass - UNI EN 12165 CW617N
Housing Aluminium die cast

Connector conformity ISO 4400

FEATURES:

Electrical conformity IEC 335
Protection degree IP 65 EN 60529 (DIN 40050)
 with hosing fitted by cable gland
 Atex Ex d.

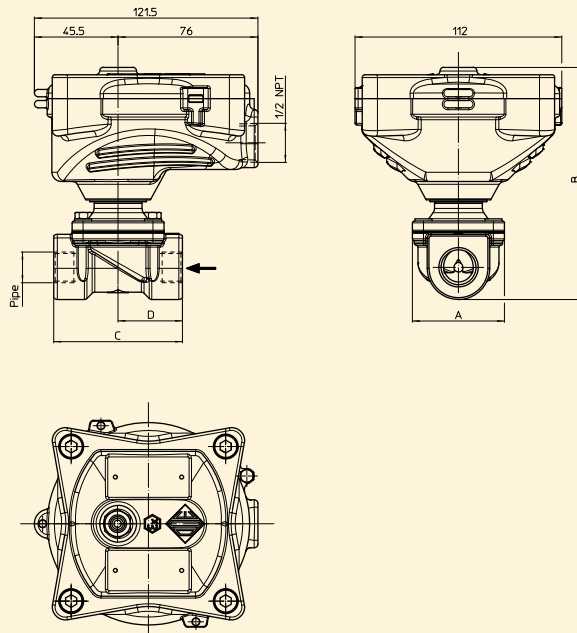
SPARE PARTS:

- 1. Coil:**
 BDA08012CS
 BDA08024CS
 BDA08024DS
 BDA08048AS
 BDA08048CS
 BDA08110CS
 BDA08110DS
 BDA08223DS

ACCESSORIES:

Code P992219 Cable Gland
 (to be ordered separately)

DIMENSIONS:



Type	Pipe ISO 228/1	A mm	B mm	C mm	D mm
21HT3KIV110	G 3/8	50	113	56	28
21HT4KIV160	G 1/2		125	70	35
21HT5KIV160	G 3/4	65	131	104	52
21HT6KIV250	G 1				

COIL TYPE	POWER ABSORPTION		
	W ---	Hold VA ~	Inrush VA ~
B	8	14,5	25