



Solenoid valve 2/2 way N.C. With pilot control

21EN2K0B105
÷
21EN4K0B105

PRESENTATION:

S.V. with pilot control for interception of fluids compatible with the construction materials.

A minimum operational pressure of 0,1 bar is required.

The materials used and the tests carried out ensure maximum reliability and duration.

USE: Automation
Heating

PIPES 1/4 NPT - 1/2 NPT

COILS: 8W - Ø 13
BDA - BDS - BSA 155°C (class F)
BDF - BDV 180°C (class H)
12W - Ø 13
UDA 155°C (class F)
14W - Ø 13
GDH - GDV 180°C (class H)

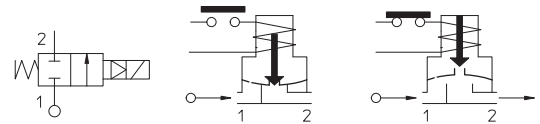
MOULDING AND BOBBIN ARE MADE BY 100% VIRGIN MATERIAL.

Max. allowable pressure (PS) 20 bar
Ambient temperature:
with coils class F - 10°C + 60°C
with coils class H - 10°C + 80°C



Gaskets	Temperature	Medium
B=NBR (nitrile rubber)	- 10°C + 90°C	Air, inert gas, water
V=FKM (fluoroelastomer)	- 10°C +140°C	Mineral oils (2°E), gasoline gas oil

For seals other than NBR replace the letter "B" with the ones corresponding to the other seals. E.I. 21EN2K0V105.

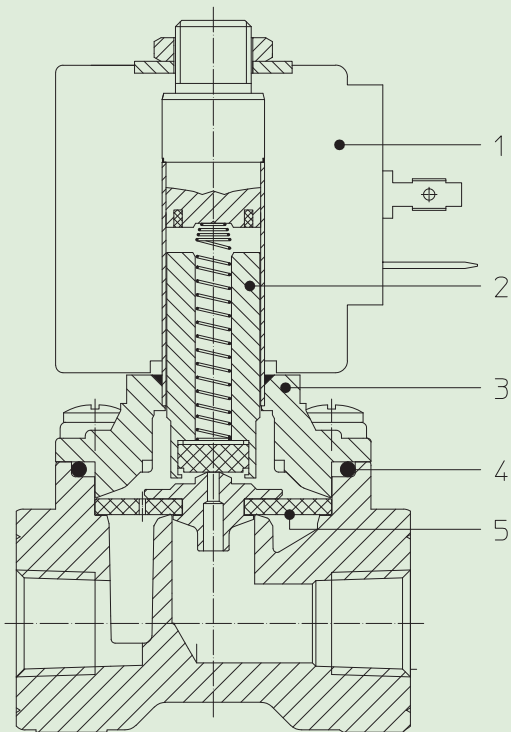


Raccordo ANSI/ASME Bl.20.1	Code	Max viscosity		Ø mm	Kv l/mn	Power (watt)	Pressure		
		cSt	°E				min bar	M.O.P.D. AC bar DC bar	
1/4 NPT	21EN2K0B105				20	8	0,1	20	10
						12			20
						14			
3/8 NPT	21EN3K0B105	12	~ 2	10,5	25	8	0,1	20	10
						12			20
						14			
1/2 NPT	21EN4K0B105				25	8	0,1	20	10
						12			20
						14			

Note

Available on request and with minimum quantities.

The "ODE" reserves the right to carry out technical and aesthetic modifications without prior notification.



MATERIALS:

Body	Brass - UNI EN 12165 CW617N
Armature tube	Stainless steel AISI series 300
Fixed core	Stainless steel AISI series 400
Plunger	Stainless steel AISI series 400
Phase displacement ring	Copper - Cu 99,9%
Spring	Stainless steel AISI series 300
Seal	Standard: B=NBR On request: V=FKM
Orifice	Brass - UNI EN 12165 CW617N

On request:

Connector	Pg 9 or Pg 11
Connector conformity	ISO 4400

FEATURES:

Electrical conformity	IEC 335
Protection degree	IP 65 EN 60529 (DIN 40050) with coil fitted by connector.

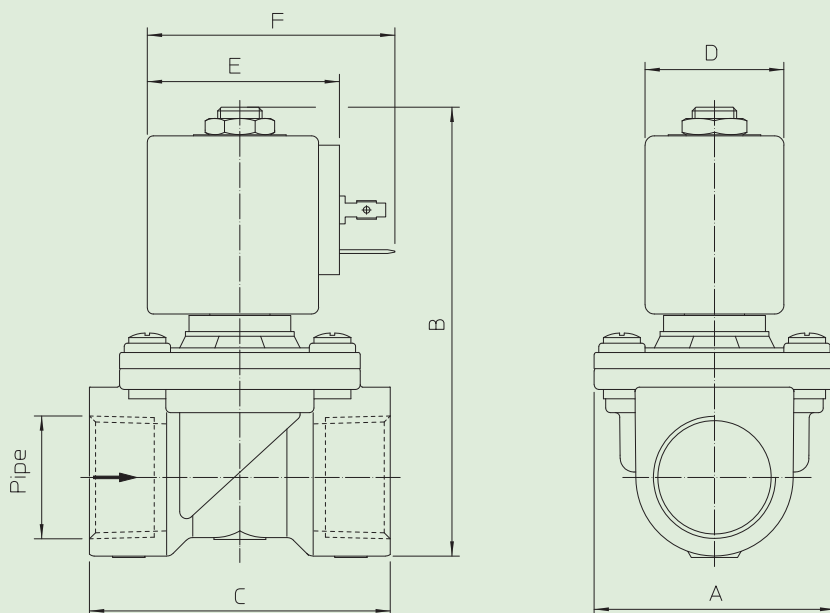
SPARE PARTS:

- 1. Coil:**
See coils list
- 2. Complete plunger:**
Code R450898/B
- 3. Complet cover with armature tube without gasket:**
Code R450671
- 4. Gasket O-Ring:**
Code 990302/BS
- 5. Complete diaphragm:**
Code R452385/B

MAINTENANCE KIT:

KTGEN2K0B10=2+4+5

DIMENSIONS:



Type	Pipe	A mm	B mm	C mm
21EN2K0B105	1/4 NPT	40	90	50
21EN3K0B105	3/8 NPT			72
21EN4K0B105	1/2 NPT			

COIL TYPE	POWER ABSORPTION			DIMENSIONS		
	W ==	Hold VA ~	Inrush VA ~	D mm	E mm	F mm
B	8	14,5	25	30	42	54
U	12	23	35	36	48	60
G	14	27	43	52	55	67



Solenoid valve 2/2 way N.C. With pilot control

21EN5KB180

PRESENTATION:

S.V. with pilot control for interception of fluids compatible with the construction materials.
A minimum operational pressure of 0,1 bar is required.
The materials used and the tests carried out ensure maximum reliability and duration.

USE: Automation
Heating

PIPES: 3/4 NPT

COILS: 8W - Ø 13
BDA - BDS - BSA 155°C (class F)
BDF - BDV 180°C (class H)
12W - Ø 13
UDA 155°C (class F)
14W - Ø 13
GDH - GDV 180°C (class H)

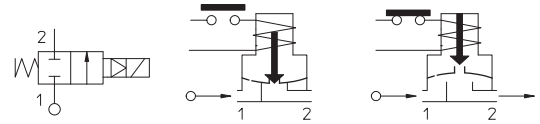
MOULDING AND BOBBIN ARE MADE BY 100% VIRGIN MATERIAL.

Max. allowable pressure (PS) 20 bar
Ambient temperature:
with coil class **F** - 10°C + 60°C
with coil class **H** - 10°C + 80°C



Gaskets	Temperature		Medium
	- 10°C	+ 90°C	
B =NBR (nitrile rubber)	- 10°C	+ 90°C	Air, inert gas, water
V =FKM (fluoroelastomer)	- 10°C	+140°C	Mineral oils (2°E), gasoline gas oil

For seals other than NBR replace the letter "B" with the ones corresponding to the other seals. E.I. 21EN5K0V180.

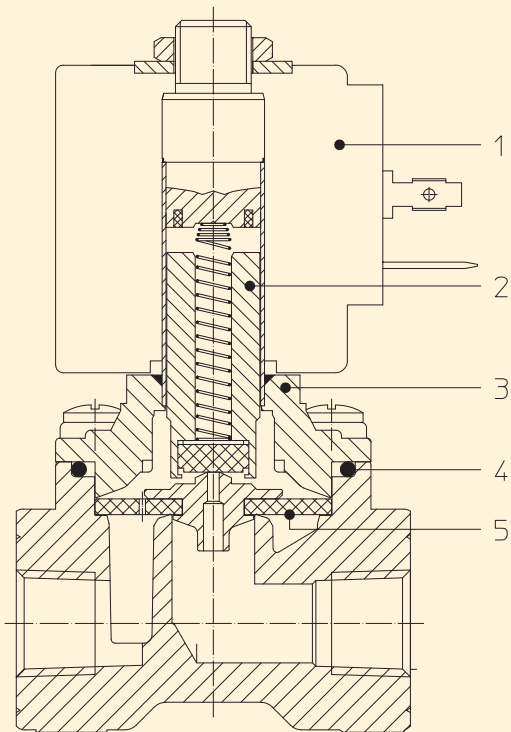


Pipe ANSI/ASME BI.20.1	Code	Max viscosity		Ø mm	Kv l/mn	Power (watt)	Pressure		
		cSt	°E				min bar	M.O.P.D.	
								AC bar	DC bar
3/4 NPT	21EN5KB180	12	~ 2	18	50	8	0,1	16	3
						12		20	9
						14		16	

Note

Available on request and with minimum quantities.

The "ODE" reserves the right to carry out technical and aesthetic modifications without prior notification.



MATERIALS:

- Body** Brass - UNI EN 12165 CW617N
- Armature tube** Stainless steel AISI series 300
- Fixed core** Stainless steel AISI series 400
- Plunger** Stainless steel AISI series 400
- Phase displacement ring** Copper - Cu 99,9%
- Spring** Stainless steel AISI series 300
- Seal** Standard: B=NBR
On request: V=FKM
- Orifice** Brass - UNI EN 12165 CW617N

On request:

- Connector** Pg 9 or Pg 11
- Connector conformity** ISO 4400

FEATURES:

- Electrical conformity** IEC 335
- Protection degree** IP 65 EN 60529 (DIN 40050)
with coil fitted by connector.

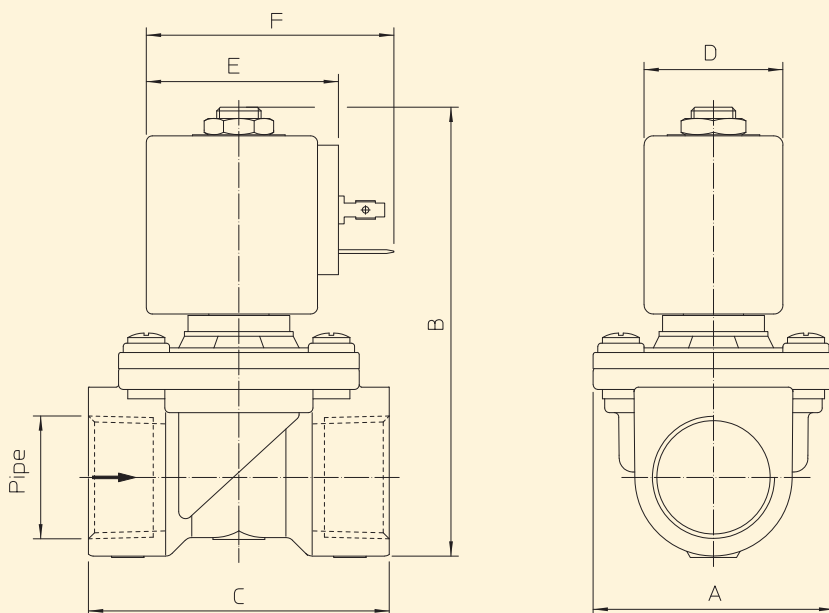
SPARE PARTS:

- 1. Coil:**
See coils list
- 2. Complete plunger:**
Code /R450898
- 3. Complet cover with armature tube without gasket:**
Code R452291
- 4. Gasket O-Ring:**
Code R990105/B
- 5. Complete diaphragm:**
Code R451220/B

MAINTENANCE KIT:

KTGEN2K0B10=2+4+5

DIMENSIONS:



Type	Pipe	A mm	B mm	C mm
21EN5KB180	3/4 NPT	52	97	65

COIL TYPE	POWER ABSORPTION			DIMENSIONS		
	W =	Hold VA ~	Inrush VA ~	D mm	E mm	F mm
B	8	14,5	25	30	42	54
U	12	23	35	36	48	60
G	14	27	43	52	55	67