



Solenoid valve 2/2 way N.C. With pilot control

21X2KV120
÷
21X4KV250

PRESENTATION:

S.V. with pilot control for interception of fluids compatible with the construction materials.

A minimum operational pressure of 0,1 bar is required.

The materials used and the tests carried out ensure maximum reliability and duration.

USE: Automation, Chemistry,
Low pressure steam

PIPES: G 1/2 - G 1

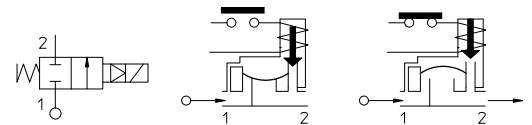
COILS: 8W - Ø 13
BDA - BDS - BSA 155°C (class F)
BDF - BDV 180°C (class H)

.MOULDING AND BOBBIN ARE MADE BY 100% VIRGIN MATERIAL.

Max. allowable pressure (PS) 25 bar
Ambient temperature:
with coil class **F** - 10°C + 60°C
with coil class **H** - 10°C + 80°C



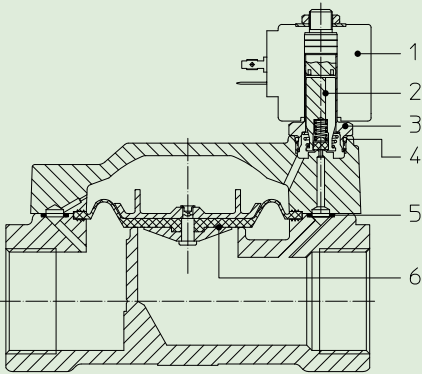
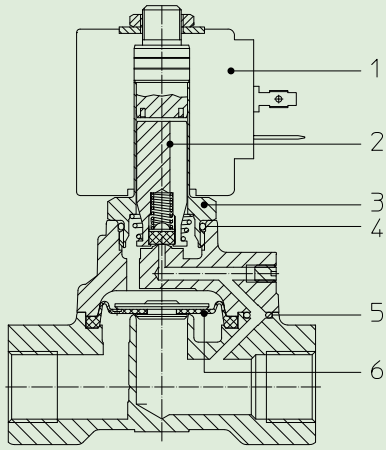
Gaskets	Temperature		Medium
	- 10°C	+140°C	
V =FKM (fluoroelastomer)	- 10°C	+140°C	Demineralized water, chemical products compatible with stainless steel
B =NBR (nitrile rubber)	- 10°C	+ 90°C	Air, water, chemical products compatible with stainless steel
E =EPDM (ethylene-propylene)	- 10°C	+140°C	Water, low pressure steam



For seals other than FKM replace the letter "V" with the ones corresponding to the other seals. E.I. 21X2KB120.

Pipe ISO 228/1	Code	Max viscosity		Ø mm	Kv l/mn	Power (watt)	Pressure			
		cSt	°E				min bar	M.O.P.D.		
								AC bar	DC bar	
G 1/2	21X2KV120	12	~ 2	12	35	8	0,1	20	20	
G 3/4	21X3KV190			19				130	16	16
G 1	21X4KV250			25				160		

The "ODE" reserves the right to carry out technical and aesthetic modifications without prior notification.



MATERIALS;

Body	Stainless steel AISI 316
Armature Tube	Stainless steel AISI series 300
Fixed core	Stainless steel AISI series 400
Plunger	Stainless steel AISI series 400
Phase displacement ring	Gold plated copper
Spring	Stainless steel AISI series 300
Seal	Standard: V=FKM On request: B=NBR E=EPDM
Orifice	Stainless steel AISI 316

On request:
Connector Pg 9 or Pg 11
Connector conformity ISO 4400

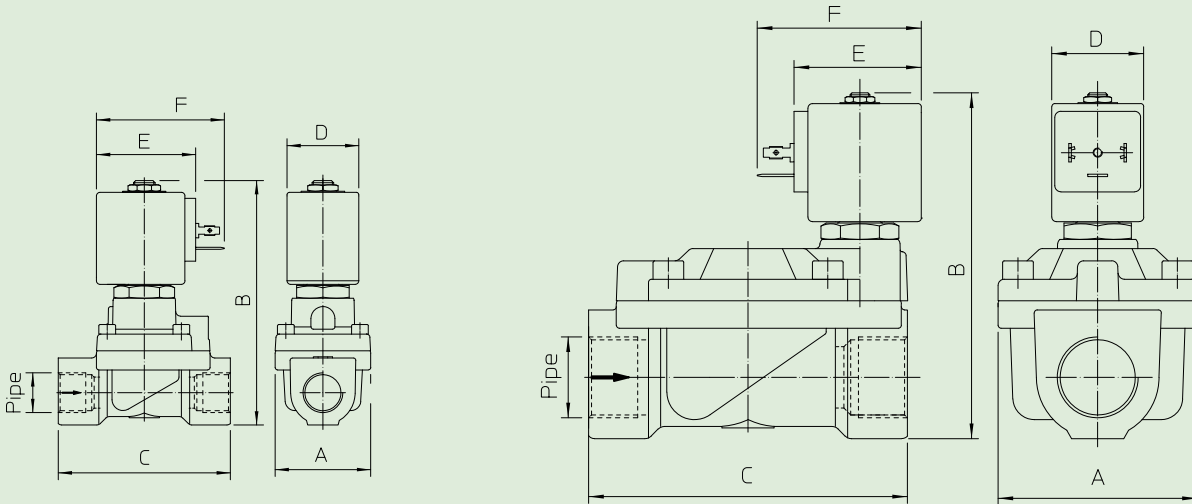
FEATURES:

Electrical conformity IEC 335
Protection degree IP 65 EN 60529 (DIN 40050)
 with coil fitted by connector.

SPARE PARTS:

- | | |
|--|--|
| 1. Coil:
See coils list | 6. Complete diaphragm:
G 1/2 Code R451816/V
G 3/4- G 1 Code R450958/V |
| 2. Complete plunger:
Code R450886/V | |
| 3. Complete armature tube without gasket:
Code R450811 | KIT:
KT130KV30-H=2+3+4 |
| 4. Gasket O-Ring:
Code R990000/V | MAINTENANCE KIT:
G 1/2
KTG0X1KV12=2+5+6 |
| 5. Gasket O-Ring:
G 1/2 Code R990003/V
G 3/4-G 1 Code R990002/V | G 3/4-G 1
KTG0X3KV19=2+5+6 |

DIMENSIONS:



Type	Pipe ISO 228/1	A mm	B mm	C mm
21X2KV120	G 1/2	40	103	73
21X3KV190	G 3/4	65	115	104
21X4KV250	G 1			

COIL TYPE	POWER ABSORPTION			DIMENSIONS		
	W ==	Hold VA ~	Inrush VA ~	D mm	E mm	F mm
B	8	14,5	25	30	42	54



Solenoid valve 2/2 way N.C. With pilot control

21X2KT120

÷

21X4KT250

PRESENTATION:

S.V. with pilot control for interception of fluids compatible with the construction materials.

A minimum operational pressure of 0,5 bar is required.

The materials used and the tests undertaken ensure maximum reliability and duration.

USE: Hot water, Chemistry,
Steam (180°C)

PIPES: G 1/2 - G 1

COILS: 8W - Ø 13
BDA - BDS - BSA 155°C (class F)
BDF - BDV 180°C (class H)

MOULDING AND BOBBIN ARE MADE BY 100% VIRGIN MATERIAL.

Max. allowable pressure (PS) 25 bar

Ambient temperature:

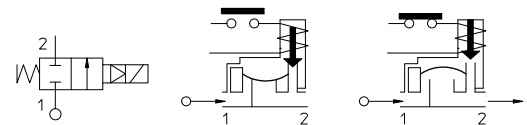
with coil class F - 10°C + 60°C

with coil class H - 10°C + 80°C



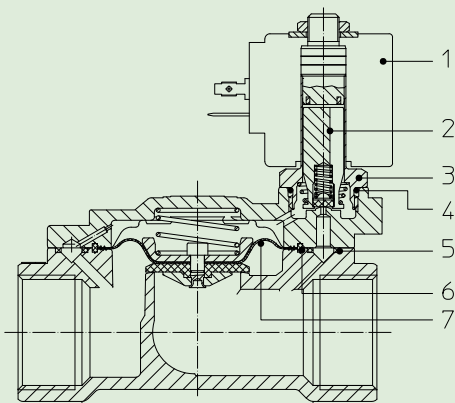
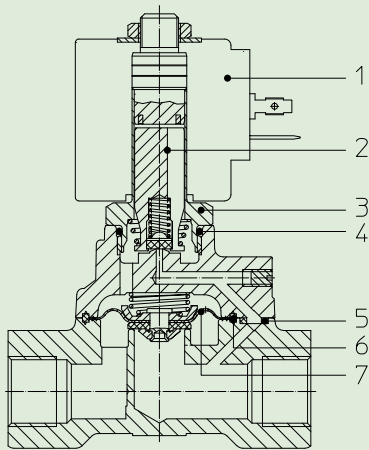
Gaskets	Temperature	Medium
T=PTFE (polytetrafluorethylen)	* + 180°C	Steam, hot water, chemical products compatible with stainless steel

* **WARNING:** For a correct functioning of the solenoid valve the minimum temperature should not be less than + 60°C; in order to ensure a long diaphragm life, the steam filtration is recommended.



Pipe ISO 228/1	Code	Max viscosity		Ø mm	Kv l/mn	Power (watt)	Pressure		
		cSt	°E				min bar	M.O.P.D. AC bar DC bar	
G 1/2	21X2KT120	-	-	12	35	8	0,5	10	10
G 3/4	21X3KT190			19	120				
G 1	21X4KT250			25	130				

The "ODE" reserves the right to carry out technical and aesthetic modifications without prior notification.



MATERIALS:

- Body** Stainless steel AISI 316
- Armature tube** Stainless steel AISI series 300
- Fixed core** Stainless steel AISI series 400
- Plunger** Stainless steel AISI series 400
- Phase displacement ring** Gold plated copper
- Spring** Stainless steel AISI series 300
- Seal** T=PTFE
- Orifice** Stainless steel AISI 316

On request:

- Connector** Pg 9 or Pg 11
- Connector conformity** ISO 4400

FEATURES:

- Electrical conformity** IEC 335
- Protection degree** IP 65 EN 60529 (DIN 40050) with coil fitted by connector.

SPARE PARTS:

- 1. Coil:** G 3/4-G 1 Code R450895
See coils list
- 2. Complete plunger:** G 1/2 Code R450950
Code R450886/T G 3/4- G 1 Code R450954
- 3. Complete armature tube without gasket:** Code R450811
- 4. Gasket O-Ring:** Code R990000/T
- 5. Gasket:** G 1/2 Code R450858
G 3/4-G 1 Code R450894
- 6. Sealing ring:** G 1/2 Code R450859
- 7. Complete diaphragm:** G 1/2 Code R450950
G 3/4- G 1 Code R450954

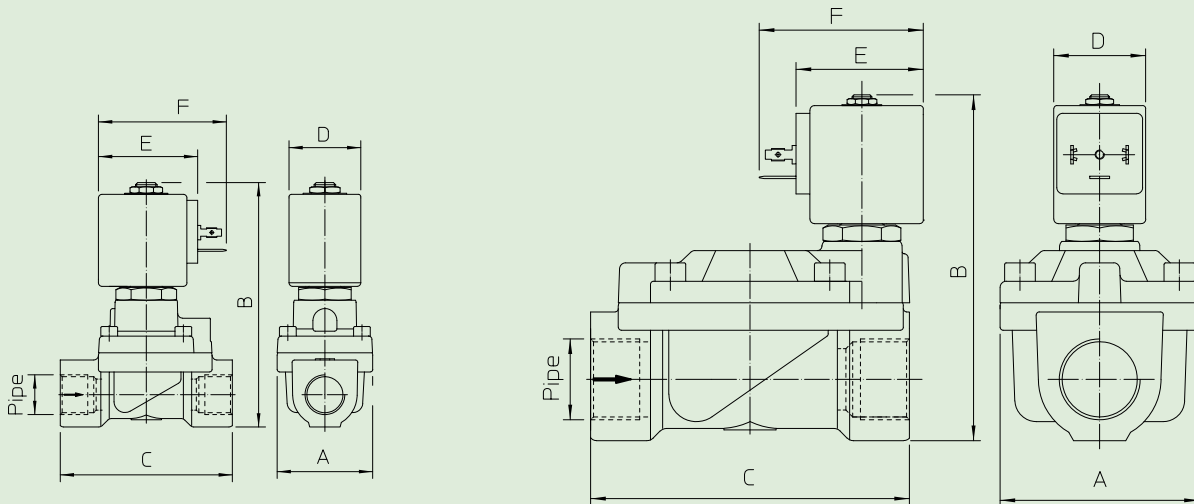
KIT:

KT130KT30-H=2+3+4

MAINTENANCE KIT:

G 1/2
KTG0X1KT12=2+5+6+7
G 3/4- G 1
KTG0X3KT19=2+5+6+7

DIMENSIONS:



Type	Pipe ISO 228/1	A mm	B mm	C mm
21X2KT120	G 1/2	40	103	73
21X3KT190	G 3/4	65	115	104
21X4KT250	G 1			

COIL TYPE	POWER ABSORPTION			DIMENSIONS		
	W ==	Hold VA ~	Inrush VA ~	D mm	E mm	F mm
B	8	14,5	25	30	42	54



Solenoid valve 2/2 way N.C. With pilot control

21XN4K1V120

21XN6K1V250

PRESENTATION

S.V. with pilot control for interception of fluids compatible with the construction materials.

A minimum operational pressure of 0,1 bar is required.

The materials used and the tests carried out ensure maximum reliability and duration.

USE: Automation, Chemistry,
Low pressure steam

PIPES: 1/2 NPT - 1 NPT

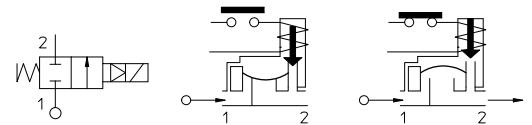
COILS: 8W - Ø 13
BDA -BDS - BSA 155°C (class F)
BDP 160°C (high temperature)
BDF - BDV 180°C (class H)

MOULDING AND BOBBIN ARE MADE BY 100% VIRGIN MATERIAL.

Max. allowable pressure (PS) 25 bar
Environment temperature:
with coil class **F** or high temperature - 10°C + 60°C
with coil class **H** - 10°C + 80°C



Gaskets	Temperature		Medium
	- 10°C	+140°C	
V=FKM (fluoroelastomer)	- 10°C	+140°C	Demineralized water, chemical products compatible with stainless steel

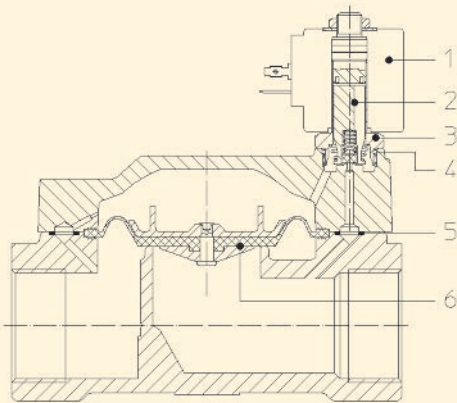
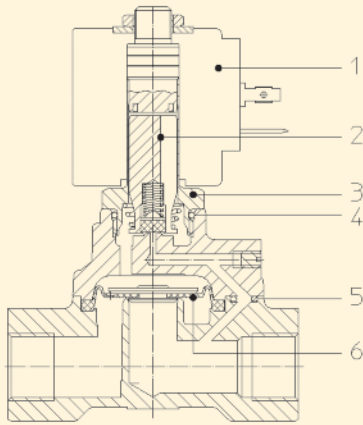


Pipe ANSI/ASME BI.20.1	Code	Max viscosity		Ø mm	Kv l/mn	Power (watt)	Pressure		
		cSt	°E				min bar	M.O.P.D.	
								AC bar	DC bar
1/2 NPT	21XN4K1V120	12	~ 2	12	35	8	0,1	20	20
1 NPT	21XN6K1V250			25				160	16

Note

Available on request and with minimum quantities.

The "ODE" reserves the right to carry out technical and aesthetic modifications without prior notification.



MATERIALS:

Body Stainless steel AISI 316
Armature Tube Stainless steel AISI series 300
Fixed core Stainless steel AISI series 400
Plunger Stainless steel AISI series 400
Phase displacement ring Gold plated copper
Spring Stainless steel AISI series 300
Seal V=FKM

Orifice Stainless steel AISI 316

On request:
Connector Pg 9 or Pg 11
Connector conformity ISO 4400

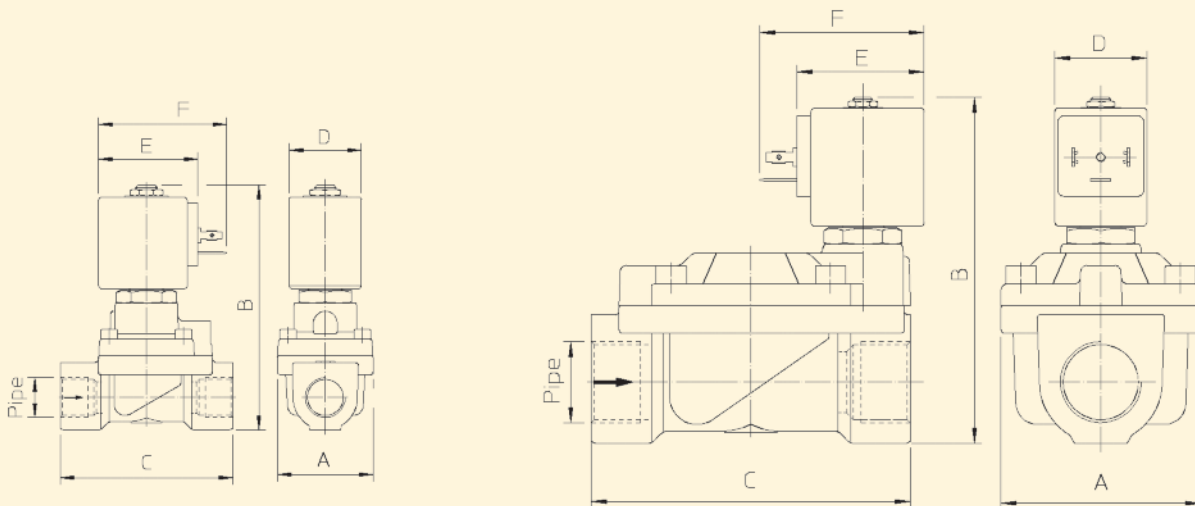
FEATURES:

Electrical conformity IEC 335
Protection degree IP 65 EN 60529 (DIN 40050)
 with coil fitted by connector.

SPARE PARTS:

- | | |
|--|---|
| 1. Coil:
See coils list | 6. Complete diaphragm:
1/2 NPT Code R451816/V
1 NPT Code R450958/V |
| 2. Complete plunger:
Code R450886/V | KIT:
KT130KV30-H=2+3+4 |
| 3. Complete armature tube without gasket:
Code R450811 | MAINTENANCE KIT: |
| 4. Gasket O-Ring:
Code R990000/V | 1/2 NPT
KTG0X1KV12=2+5+6 |
| 5. Gasket O-Ring:
1/2 NPT Code R990003/V
1 NPT Code R990002/V | 1 NPT
KTG0X3KV19=2+5+6 |

DIMENSIONS:



Type	Pipe	A mm	B mm	C mm
21XN4K1V120	1/2 NPT	40	103	72
21XN6K1V250	1 NPT	65	115	104

COIL	POWER ABSORPTION		TYPE	DIMENSIONS		
	W	Inrush VA ~		Hold VA ~	D mm	E mm
8 W	25	14,5	B	30	42	54