



# Proportional solenoid valve 2/2 way N.C. - Direct acting

21A2KCV15-10

## PRESENTATION:

Solenoid valve designed for a fluid output proportional to voltage change.  
Minimum operational pressure is not required.  
Mounting in any position.  
Material used and tests carried out ensure reliability and long life time.

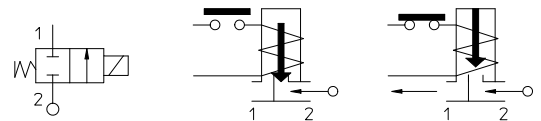
## TECHNICAL FEATURES:

Max. allowable pressure (PS) 40 bar  
Ambient temperature:  
with coils class F - 10°C + 60°C  
with coil class H - 10°C + 80°C  
Proportional response features:  
Hysteresis < 5%  
Repeatability < 3%  
Sensitivity < 2%

Tensions range: 0-24 VDC  
24 VDC impulse range modulation (600 ÷ 800 Hz),  
(see general information:proportional S.V. operation).  
These solenoid valves are not suitable for stagnating fluids, or for fluids that being subject to evaporation may deposit solid, calcareous or similar residues.

PIPES: G 1/4

COILS:  
8W - Ø 13  
BDA - BDS - BSA 155°C (class F)  
BDF - BDV 180°C (class H)  
12W - Ø 13  
UDA 155°C (class F)

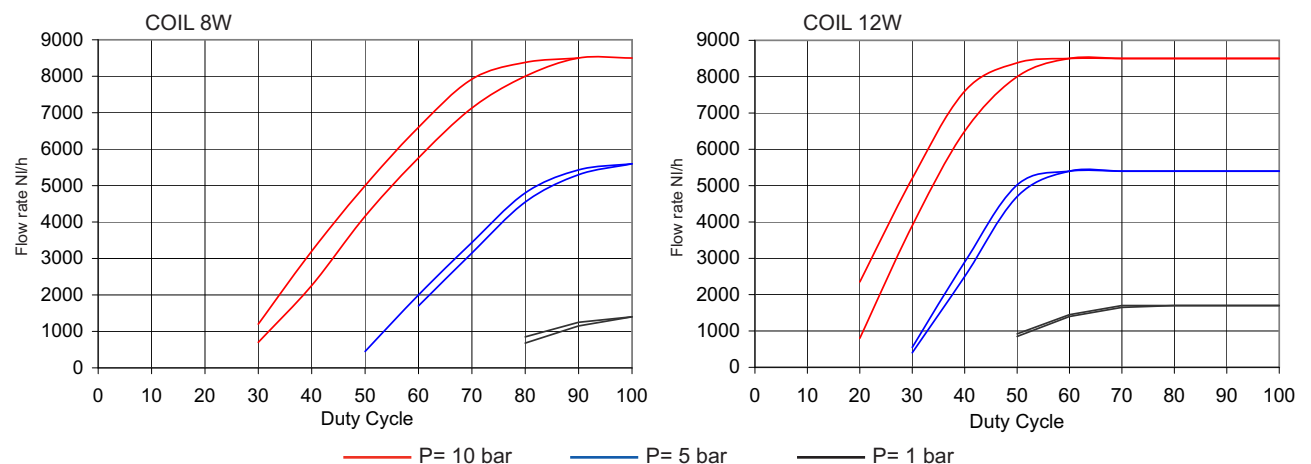


## MOULDING AND BOBBIN ARE MADE BY 100% VIRGIN MATERIAL.

Gaskets	Temperature	Medium
V=FKM (fluoroelastomer)	- 10°C +140°C	Water, inert gas, mineral oils (3°E), gasoline

Pipe ISO 228/1	Code	Max viscosity		Ø mm	Kv l/mn	Power (watt)	Pressure		
		cSt	°E				min bar	M.O.P.D. AC bar DC bar	
G 1/4	21A2KCV15-10	21	~ 3	1,5	1,4	8 12	0	-	10

## SOLENOID VALVE CALIBRATED AT 10 bar - Flow rate in air



**Note** Also available with brass body without lead.

The "ODE" reserves the right to carry out technical and aesthetic modifications without prior notification.

### MATERIALS:

<b>Body</b>	Brass - UNI EN 12165 CW617N
<b>Armature tube</b>	Stainless steel AISI series 300
<b>Fixed core</b>	Stainless steel AISI series 400
<b>Plunger</b>	Stainless steel AISI series 400
<b>Spring</b>	Stainless steel AISI series 300
<b>Ring guide</b>	PTFE
<b>Orifice</b>	Brass - UNI EN 12165 CW617N
<b>Seal</b>	V=FKM
<b>Gasket</b>	V=FKM

### On request:

<b>Connector</b>	Pg 9 or Pg 11
<b>Connector conformity</b>	ISO 4400

### FEATURES:

<b>Electrical conformity</b>	IEC 335
<b>Protection degree</b>	IP 65 EN 60529 (DIN 40050) with coil fitted by connector.

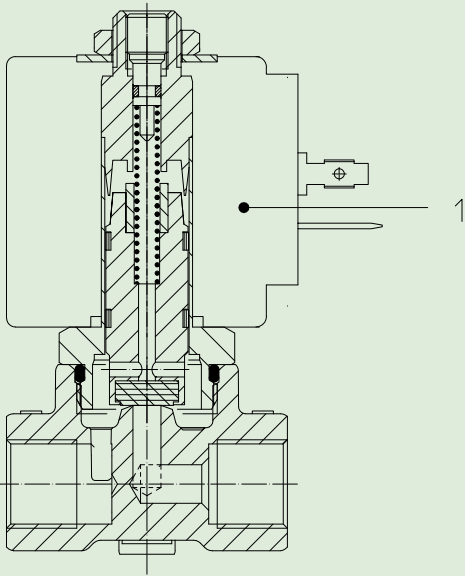
### SPARE PART:

#### 1. Coil:

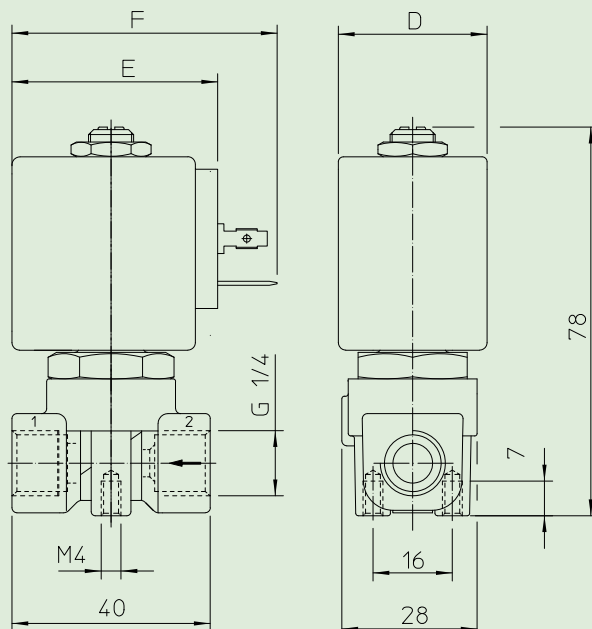
See coils list

### KIT:

KT130KCV55-I



### DIMENSIONS:



COIL TYPE	POWER ABSORPTION	DIMENSIONS		
	W ---	D mm	E mm	F mm
B	8	30	42	54
U	12	36	48	60



# Proportional solenoid valve 2/2 way N.C. - Direct acting

21A2KCV20-10

## PRESENTATION:

Solenoid valve designed for a fluid output proportional to voltage change.  
Minimum operational pressure is not required.  
Mounting in any position.  
Material used and tests carried out ensure reliability and long life time.

## TECHNICAL FEATURES:

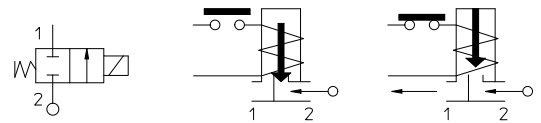
Max. allowable pressure (PS) 40 bar  
Ambient temperature:  
with coils class F - 10°C + 60°C  
with coil class H - 10°C + 80°C  
Proportional response features:

Hysteresis < 5%  
Repeatability < 3%  
Sensitivity < 2%

Tensions range: 0-24 VDC  
24 VDC impulse range modulation (600 ÷ 800 Hz),  
(see general information:proportional S.V. operation).  
These solenoid valves are not suitable for stagnating fluids, or for fluids that being subject to evaporation may deposit solid, calcareous or similar residues.

PIPES: G 1/4

COILS: 8W - Ø 13  
BDA - BDS - BSA 155°C (class F)  
BDF - BDV 180°C (class H)  
12W - Ø 13  
UDA 155°C (class F)

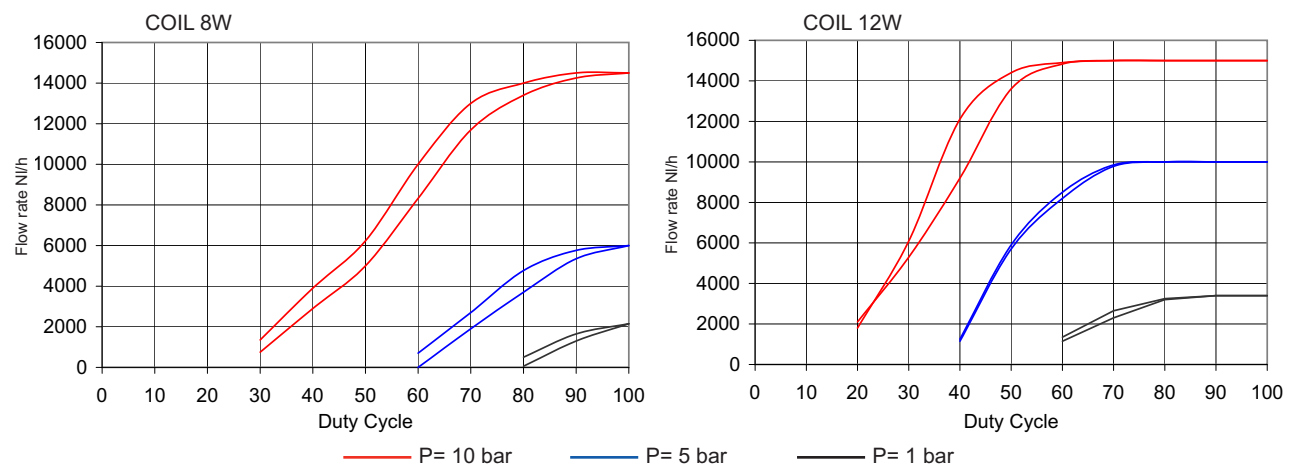


**MOULDING AND BOBBIN ARE MADE BY 100% VIRGIN MATERIAL.**

Gaskets	Temperature	Medium
V=FKM (fluoroelastomer)	- 10°C +140°C	Water, inert gas, mineral oils (3°E), gasoline

Pipe ISO 228/1	Code	Max viscosity		Ø mm	Kv l/mn	Power (watt)	Pressure		
		cSt	°E				min bar	M.O.P.D. AC bar DC bar	
G 1/4	21A2KCV20-10	21	~ 3	2	2	8 12	0	-	10

SOLENOID VALVE CALIBRATED AT 10 bar - Flow rate in air



**Note** Also available with brass body without lead.

The "ODE" reserves the right to carry out technical and aesthetic modifications without prior notification.

**MATERIALS:**

<b>Body</b>	Brass - UNI EN 12165 CW617N
<b>Armature tube</b>	Stainless steel AISI series 300
<b>Fixed core</b>	Stainless steel AISI series 400
<b>Plunger</b>	Stainless steel AISI series 400
<b>Spring</b>	Stainless steel AISI series 300
<b>Ring guide</b>	PTFE
<b>Orifice</b>	Brass - UNI EN 12165 CW617N
<b>Seal</b>	V=FKM
<b>Gasket</b>	V=FKM

**On request:**

<b>Connector</b>	Pg 9 or Pg 11
<b>Connector conformity</b>	ISO 4400

**FEATURES:**

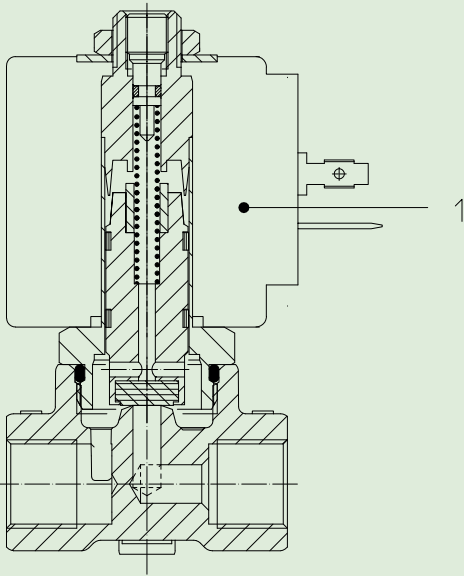
<b>Electrical conformity</b>	IEC 335
<b>Protection degree</b>	IP 65 EN 60529 (DIN 40050) with coil fitted by connector.

**SPARE PARTS:**

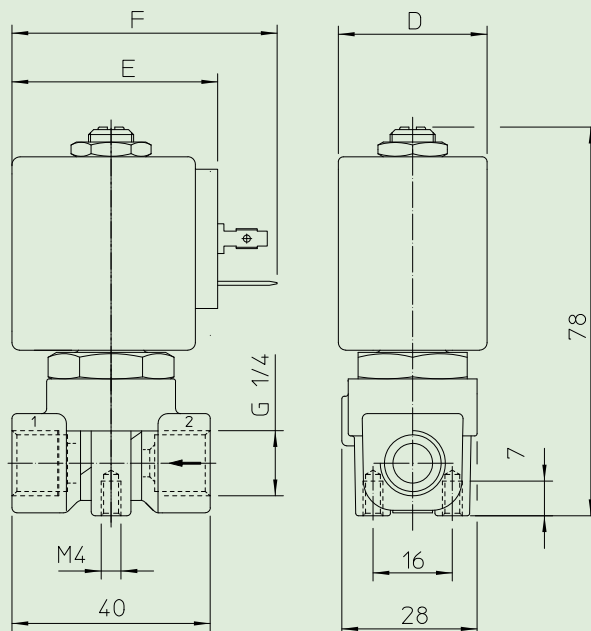
- 1. Coil:**  
See coils list

**KIT:**

KT130KCV55-I



**DIMENSIONS:**



COIL TYPE	POWER ABSORPTION		DIMENSIONS		
	W	---	D mm	E mm	F mm
B	8		30	42	54
U	12		36	48	60



# Proportional solenoid valve 2/2 way N.C. - Direct acting

21A2KCV25-08

## PRESENTATION:

Solenoid valve designed for a fluid output proportional to voltage change.  
Minimum operational pressure is not required.  
Mounting in any position.  
Material used and tests carried out ensure reliability and long life time.

## TECHNICAL FEATURES:

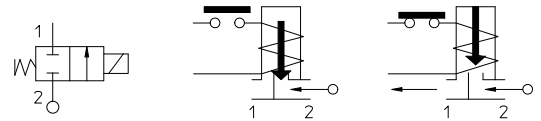
Max. allowable pressure (PS) 40 bar  
Ambient temperature:  
with coils class F - 10°C + 60°C  
with coil class H - 10°C + 80°C  
Proportional response features:

Hysteresis < 5%  
Repeatability < 3%  
Sensitivity < 2%

Tensions range: 0-24 VDC  
24 VDC impulse range modulation (600 ÷ 800 Hz),  
(see general information:proportional S.V. operation).  
These solenoid valves are not suitable for stagnating fluids, or  
for fluids that being subject to evaporation may deposit solid,  
calcareous or similar residues.

PIPES: G 1/4

COILS: 8W - Ø 13  
BDA - BDS - BSA 155°C (class F)  
BDF - BDV 180°C (class H)  
12W - Ø 13  
UDA 155°C (class F)

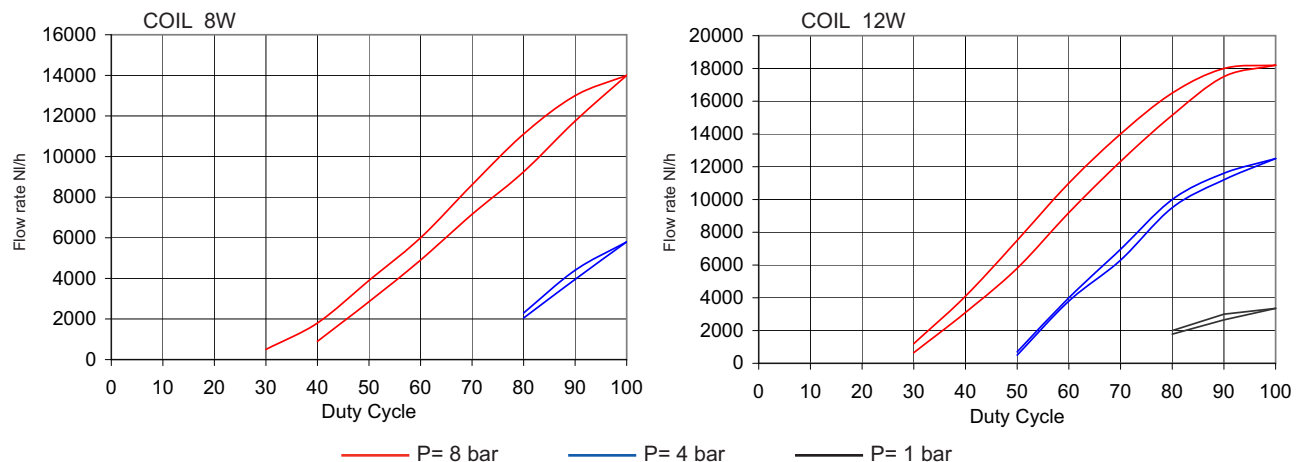


## MOULDING AND BOBBIN ARE MADE BY 100% VIRGIN MATERIAL.

Gaskets	Temperature	Medium
V=FKM (fluoroelastomer)	- 10°C +140°C	Water, inert gas, mineral oils (3°E), gasoline

Pipe ISO 228/1	Code	Max viscosity		Ø mm	Kv l/mn	Power (watt)	Pressure		
		cSt	°E				min bar	M.O.P.D. AC bar DC bar	
G 1/4	21A2KCV25-08	21	~ 3	2,5	3,2	8 12	0	-	8

## SOLENOID VALVE CALIBRATED AT 8 bar - Flow rate in air



**Note** Also available with brass body without lead.

The "ODE" reserves the right to carry out technical and aesthetic modifications without prior notification.

### MATERIALS:

<b>Body</b>	Brass - UNI EN 12165 CW617N
<b>Armature tube</b>	Stainless steel AISI series 300
<b>Fixed core</b>	Stainless steel AISI series 400
<b>Plunger</b>	Stainless steel AISI series 400
<b>Spring</b>	Stainless steel AISI series 300
<b>Ring guide</b>	PTFE
<b>Orifice</b>	Brass - UNI EN 12165 CW617N
<b>Seal</b>	V=FKM
<b>Gasket</b>	V=FKM

### On request:

<b>Connector</b>	Pg 9 or Pg 11
<b>Connector conformity</b>	ISO 4400

### FEATURES:

<b>Electrical conformity</b>	IEC 335
<b>Protection degree</b>	IP 65 EN 60529 (DIN 40050) with coil fitted by connector.

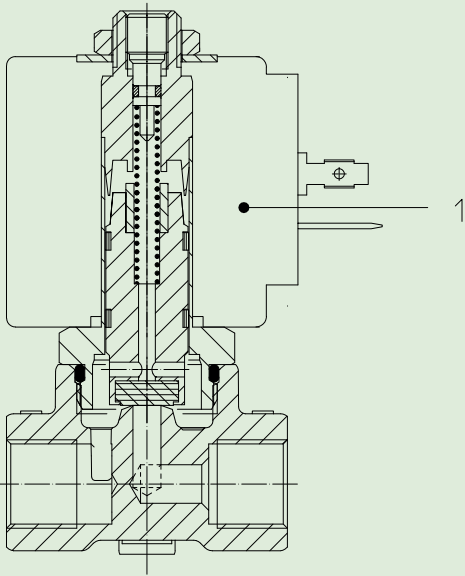
### SPARE PARTS:

#### 1. Coil:

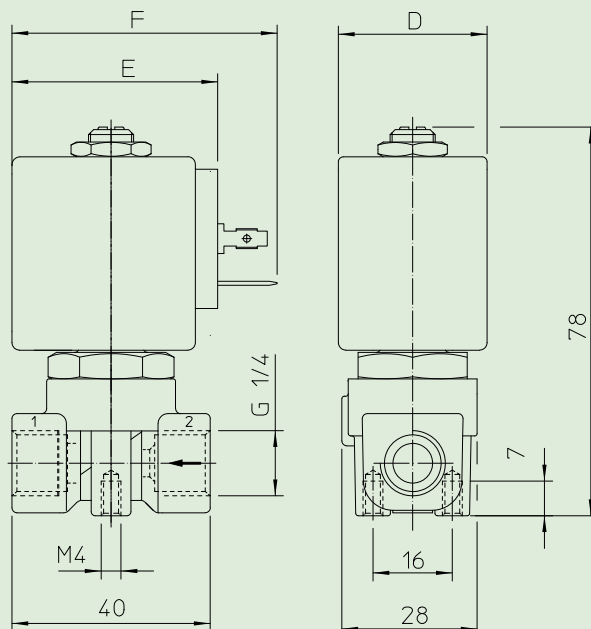
See coils list

### KIT:

KT130KCV55-I



### DIMENSIONS:



COIL TYPE	POWER ABSORPTION		DIMENSIONS		
	W	---	D mm	E mm	F mm
B	8		30	42	54
U	12		36	48	60



# Proportional solenoid valve 2/2 way N.C. - Direct acting

21A2KCV30-05

## PRESENTATION:

Solenoid valve designed for a fluid output proportional to voltage change.  
Minimum operational pressure is not required.  
Mounting in any position.  
Material used and tests carried out ensure reliability and long life time.

## TECHNICAL FEATURES

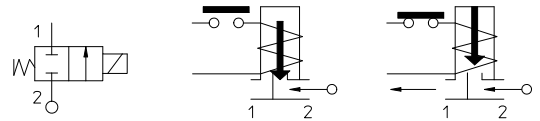
Max. allowable pressure (PS) 40 bar  
Ambient temperature:  
with coil class F -10°C + 60°C  
with coil class H -10°C + 80°C  
Proportional response features:

Hysteresis < 5%  
Repeatability < 3%  
Sensitivity < 2%

Tensions range: 0-24 VDC  
24 VDC impulse range modulation (600 ÷ 800 Hz),  
(see general information:proportional S.V. operation).  
These solenoid valves are not suitable for stagnating fluids, or for fluids that being subject to evaporation may deposit solid, calcareous or similar residues.

PIPES: G 1/4

COILS  
8W - Ø 13  
BDA - BDS - BSA 155°C (class F)  
BDF - BDV 180°C (class H)  
12W - Ø 13  
UDA 155°C (class F)

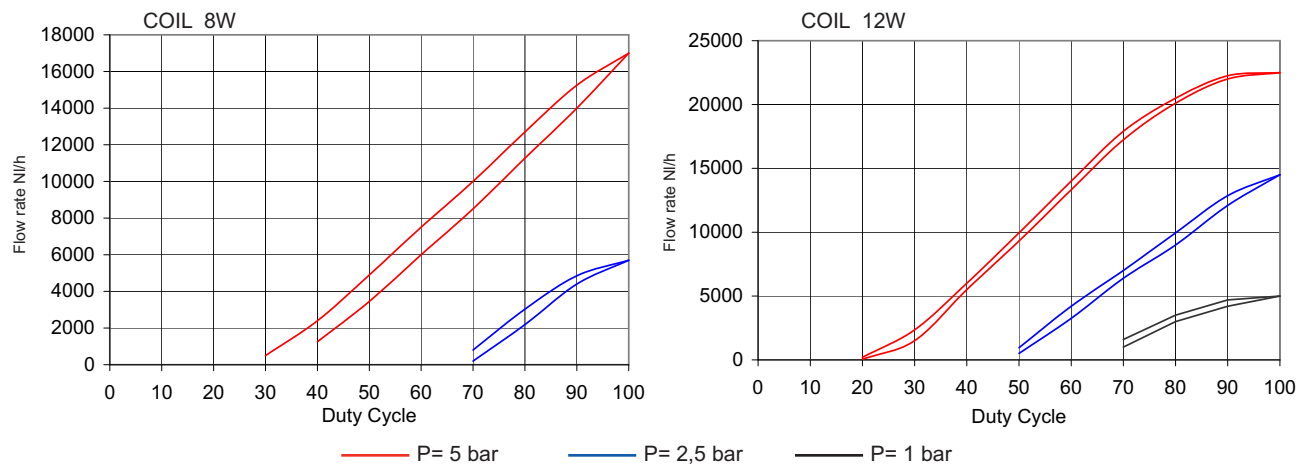


**MOULDING AND BOBBIN ARE MADE BY 100% VIRGIN MATERIAL.**

Gaskets	Temperature	Medium
V=FKM (fluoroelastomer)	- 10°C +140°C	Water, inert gas, mineral oils (3°E), gasoline

Pipe ISO 228/1	Code	Max viscosity		Ø mm	Kv l/mn	Power (watt)	Pressure		
		cSt	°E				min bar	M.O.P.D. AC bar DC bar	
G 1/4	21A2KCV30-05	21	~ 3	3	4	8 12	0	-	5

SOLENOID VALVE CALIBRATED AT 5 bar - Flow rate in air



**Note** Also available with brass body without lead.

The "ODE" reserves the right to carry out technical and aesthetic modifications without prior notification.

### MATERIALS:

<b>Body</b>	Brass - UNI EN 12165 CW617N
<b>Armature tube</b>	Stainless steel AISI series 300
<b>Fixed core</b>	Stainless steel AISI series 400
<b>Plunger</b>	Stainless steel AISI series 400
<b>Spring</b>	Stainless steel AISI series 300
<b>Ring guide</b>	PTFE
<b>Orifice</b>	Brass - UNI EN 12165 CW617N
<b>Seal</b>	V=FKM
<b>Gasket</b>	V=FKM

### On request:

<b>Connector</b>	Pg 9 or Pg 11
<b>Connector conformity</b>	ISO 4400

### FEATURES:

<b>Electrical conformity</b>	IEC 335
<b>Protection degree</b>	IP 65 EN 60529 (DIN 40050) with coil fitted by connector.

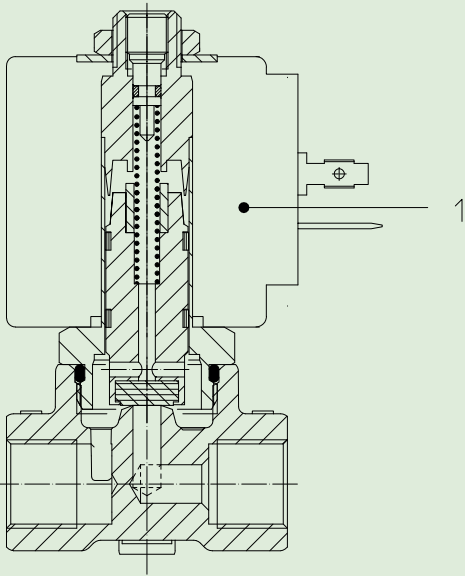
### SPARE PARTS:

#### 1. Coil:

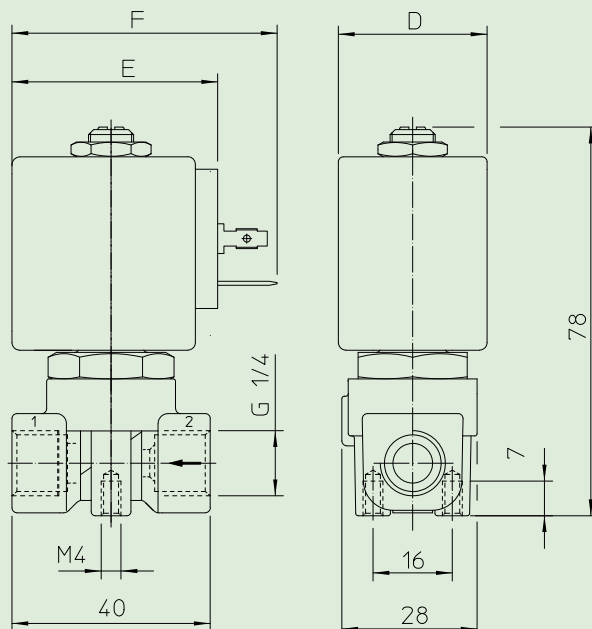
See coils list

### KIT:

KT130KCV55-I



### DIMENSIONS:



COIL TYPE	POWER ABSORPTION		DIMENSIONS		
	W	---	D mm	E mm	F mm
B	8		30	42	54
U	12		36	48	60





# Proportional solenoid valve 2/2 way N.C. - Direct acting

21A2KCV45-1X

## PRESENTATION:

Solenoid valve designed for a fluid output proportional to voltage change.  
Minimum operational pressure is not required.  
Mounting in any position.  
Material used and tests carried out ensure reliability and long life time.

## TECHNICAL FEATURES:

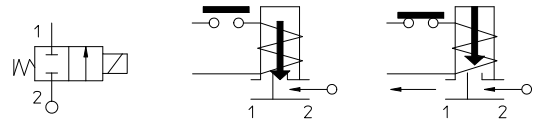
Max. allowable pressure (PS) 40 bar  
Ambient temperature:  
with coils class F - 10°C + 60°C  
with coil class H - 10°C + 80°C  
Proportional response features:

Hysteresis < 5%  
Repeatability < 3%  
Sensitivity < 2%

Tensions range: 0-24 VDC  
24 VDC impulse range modulation (600 ÷ 800 Hz),  
(see general information:proportional S.V. operation).  
These solenoid valves are not suitable for stagnating fluids, or for fluids that being subject to evaporation may deposit solid, calcareous or similar residues.

PIPES: G 1/4

COILS: 8W - Ø 13  
BDA - BDS - BSA 155°C (class F)  
BDF - BDV 180°C (class H)  
12W - Ø 13  
UDA 155°C (class F)

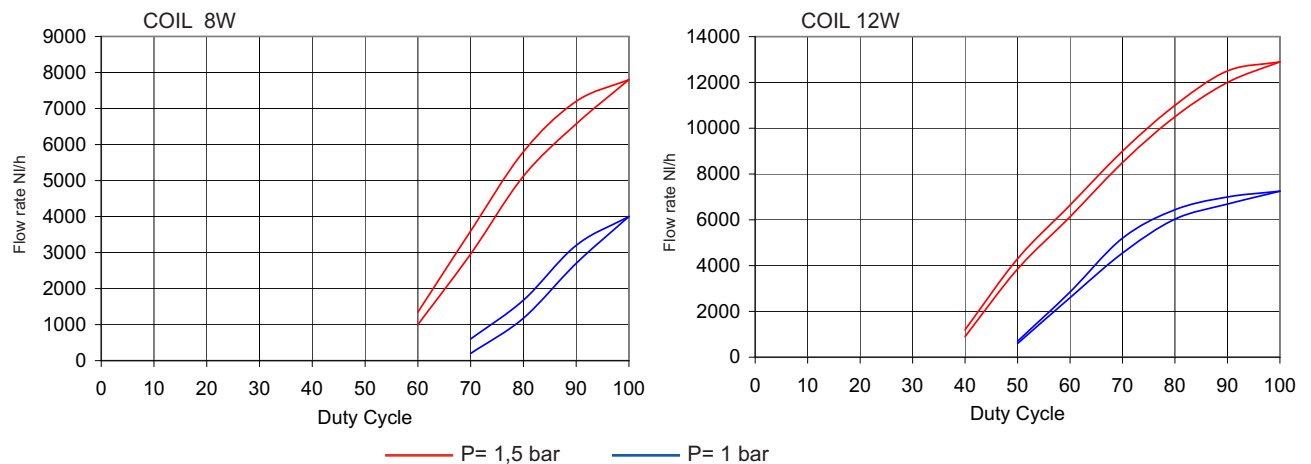


## MOULDING AND BOBBIN ARE MADE BY 100% VIRGIN MATERIAL.

Gaskets	Temperature	Medium
V=FKM (fluoroelastomer)	- 10°C +140°C	Water, inert gas, mineral oils (3°E), gasoline

Pipe ISO 228/1	Code	Max viscosity		Ø mm	Kv l/mn	Power (watt)	Pressure		
		cSt	°E				min bar	M.O.P.D. AC bar DC bar	
G 1/4	21A2KCV45-1X	21	~ 3	4,5	6,4	8 12	0	-	1,5

## SOLENOID VALVE CALIBRATED AT 1,5 bar - Flow rate in air



**Note** Also available with brass body without lead.

The "ODE" reserves the right to carry out technical and aesthetic modifications without prior notification.

### MATERIALS:

<b>Body</b>	Brass - UNI EN 12165 CW617N
<b>Armature tube</b>	Stainless steel AISI series 300
<b>Fixed core</b>	Stainless steel AISI series 400
<b>Plunger</b>	Stainless steel AISI series 400
<b>Spring</b>	Stainless steel AISI series 300
<b>Ring guide</b>	PTFE
<b>Orifice</b>	Brass - UNI EN 12165 CW617N
<b>Seal</b>	V=FKM
<b>Gasket</b>	V=FKM

### On request:

<b>Connector</b>	Pg 9 or Pg 11
<b>Connector conformity</b>	ISO 4400

### FEATURES:

<b>Electrical conformity</b>	IEC 335
<b>Protection degree</b>	IP 65 EN 60529 (DIN 40050) with coil fitted by connector.

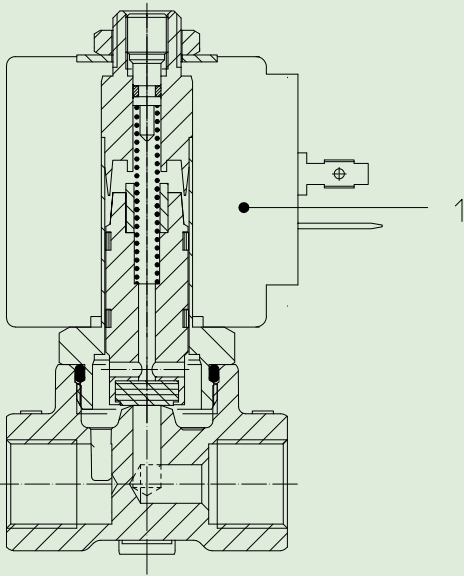
### SPARE PARTS:

#### 1. Coil:

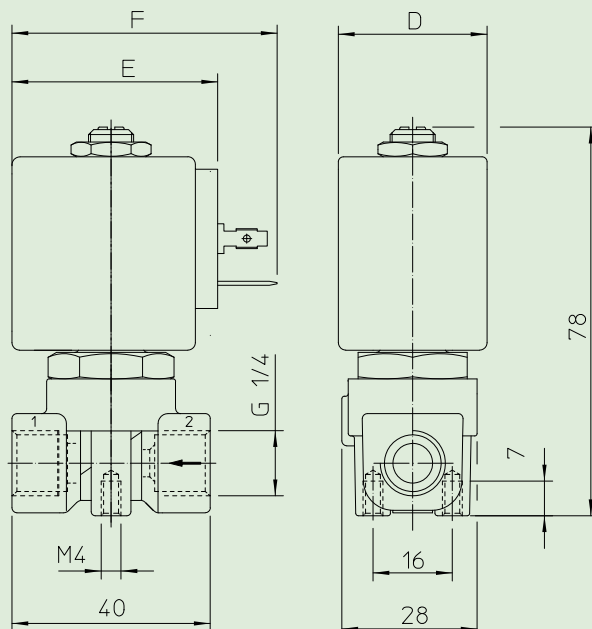
See coils list

### KIT:

KT130KCV55-I



### DIMENSIONS:



COIL TYPE	POWER ABSORPTION	DIMENSIONS		
	W ---	D mm	E mm	F mm
B	8	30	42	54
U	12	36	48	60



# Proportional solenoid valve 2/2 way N.C. - Direct acting

21A2KCV55-01

## PRESENTATION:

Solenoid valve designed for a fluid output proportional to voltage change.  
 Minimum operational pressure is not required.  
 Mounting in any position.  
 Material used and tests carried out ensure reliability and long life time.

## TECHNICAL FEATURES:

Max. allowable pressure (PS)                      40 bar  
 Ambient temperature:                                - 10°C + 60°C  
 Proportional response features:

Hysteresis    < 5%  
 Repeatability                                         < 3%  
 Sensitivity    < 2%

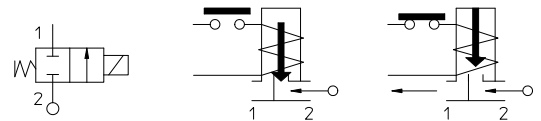
Tensions range:                                      0-24 VDC  
 24 VDC impulse range modulation (600 ÷ 800 Hz),  
 (see general information:proportional S.V. operation).  
 These solenoid valves are not suitable for stagnating fluids, or  
 for fluids that being subject to evaporation may deposit solid,  
 calcareous or similar residues.



PIPES:    G 1/4

COILS:     12W - Ø 13  
    UDA    155°C (class F)

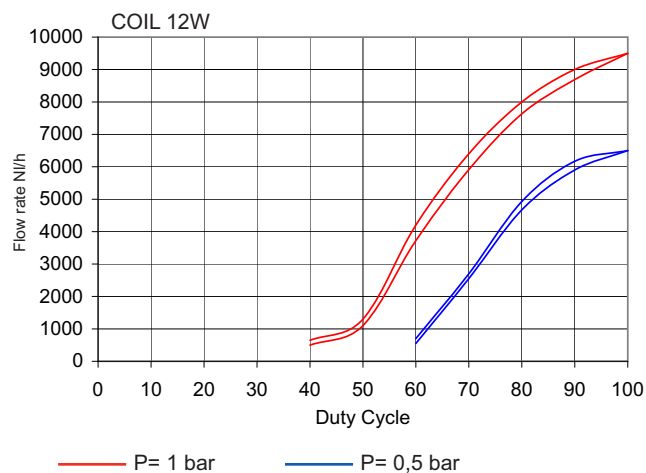
**MOULDING AND BOBBIN ARE MADE BY 100% VIRGIN MATERIAL.**



Gaskets	Temperature		Medium
V=FKM (fluoroelastomer)	- 10°C	+140°C	Water, inert gas, mineral oils (3°E), gasoline

Pipe ISO 228/1	Code	Max viscosity		Ø mm	Kv l/mn	Power (watt)	Pressure		
		cSt	°E				min bar	M.O.P.D. AC bar    DC bar	
G 1/4	21A2KCV55-01	21	~ 3	5,5	9	12	0	-	1

SOLENOID VALVE CALIBRATED AT 1 bar - Flow rate in air



**Note** Also available with brass body without lead.

The "ODE" reserves the right to carry out technical and aesthetic modifications without prior notification.

## MATERIALS:

<b>Body</b>	Brass - UNI EN 12165 CW617N
<b>Armature tube</b>	Stainless steel AISI series 300
<b>Fixed core</b>	Stainless steel AISI series 400
<b>Plunger</b>	Stainless steel AISI series 400
<b>Spring</b>	Stainless steel AISI series 300
<b>Ring guide</b>	PTFE
<b>Orifice</b>	Brass - UNI EN 12165 CW617N
<b>Seal</b>	V=FKM
<b>Gasket</b>	V=FKM

## On request:

<b>Connector</b>	Pg 9 or Pg 11
<b>Connector conformity</b>	ISO 4400

## FEATURES

<b>Electrical conformity</b>	IEC 335
<b>Protection degree</b>	IP 65 EN 60529 (DIN 40050) with coil fitted by connector.

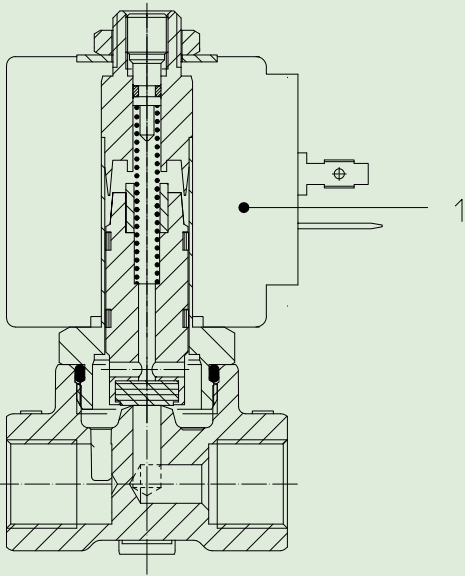
## SPARE PARTS:

### 1. Coil:

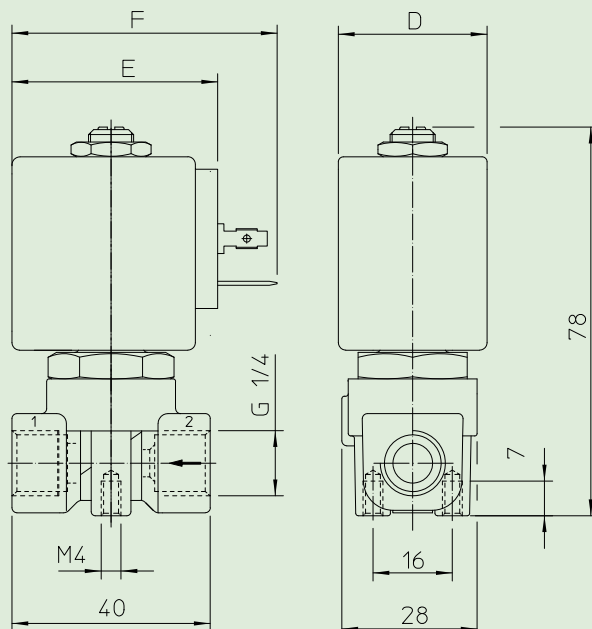
See coils list

## KIT:

KT130KCV55-I



## DIMENSIONS:



COIL TYPE	POWER ABSORPTION	DIMENSIONS		
	W ---	D mm	E mm	F mm
U	12	36	48	60