



Solenoid valve 2/2 way N.C. Direct acting

21T1BV17-F

÷

21T2BV40-F

PRESENTATION:

Direct acting S.V. for interception of fluids compatible with the construction materials.

Minimum operational pressure is not required.

The materials used and the tests carried out ensure maximum reliability and duration.

USE: Automation
Heating

PIPES: G 1/8 - G 1/4

COILS 8W - Ø 13
BDA - BDS - BSA 155°C (class F)
BDF - BDV 180°C (class H)

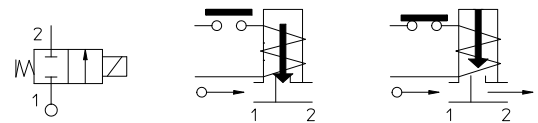
MOULDING AND BOBBIN ARE MADE BY 100% VIRGIN MATERIAL.

Max. allowable pressure (PS) 30 bar
Ambient temperature:
with coil class F - 10°C + 60°C
with coil class H - 10°C + 80°C



Gaskets			Medium
V=FKM (fluoroelastomer)	- 10°C	+140°C	Mineral oils (2°E), gasoline gas oil, fuel oils (7°E)
B=NBR (nitrile rubber)	- 10°C	+ 90°C	Air, inert gas, water

For seals other than FKM replace the letter "V" with the ones corresponding to the other seals. E.I. 21T1BB17-F.



Pipe ISO 228/1	Code	Max viscosity		Ø mm	Kv l/mn	Power (watt)	Pressure		
		cSt	°E				min bar	M.O.P.D.	
								AC bar	DC bar
G 1/8	21T1BV17-F	37	~ 5	1,7	1,5	8	0	30	15
	21T1BV22-F			2,2	2,1			20	10
	21T1BV28-F	53	~ 7	2,8	3,5			12	6
	21T1BV40-F			4	5			6	2
G 1/4	21T2BV17-F	37	~ 5	1,7	1,5			30	15
	21T2BV22-F			2,2	2,1			20	10
	21T2BV28-F	53	~ 7	2,8	3,5			12	6
	21T2BV40-F			4	5			6	2

The "ODE" reserves the right to carry out technical and aesthetic modifications without prior notification.

MATERIALS:

Body	Brass - UNI EN 12165 CW617N
Incorporated armature tube	Brass - UNI EN 12165 CW617N
Fixed core	Stainless steel AISI series 400
Plunger	Stainless steel AISI series 400
Phase displacement ring	Copper - Cu 99,9%
Spring	Stainless steel AISI series 300
Seal	Standard: V=FKM On request: B=NBR
Orifice	Brass - UNI EN 12165 CW617N

On request:

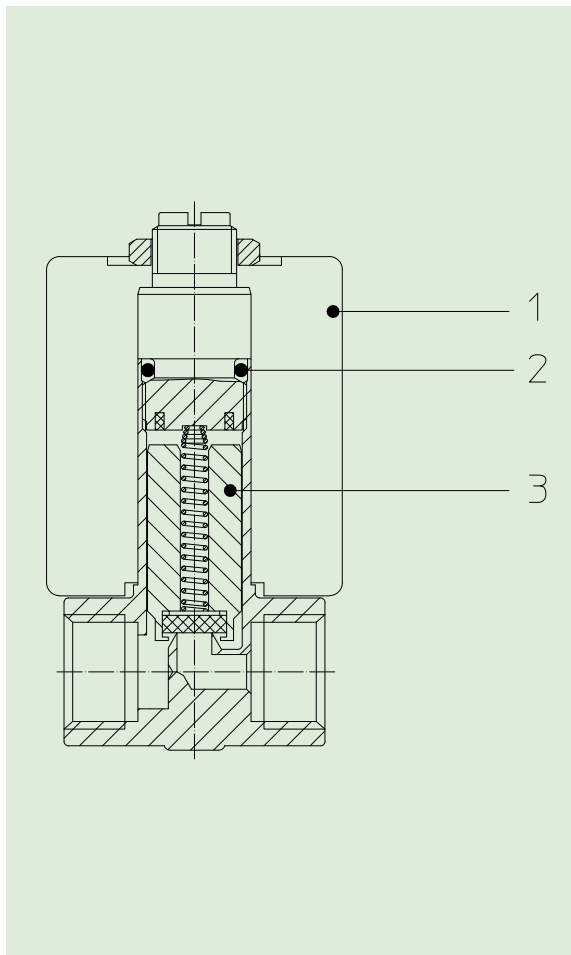
Connector	Pg 9 or Pg 11
Connector conformity	ISO 4400

FEATURES:

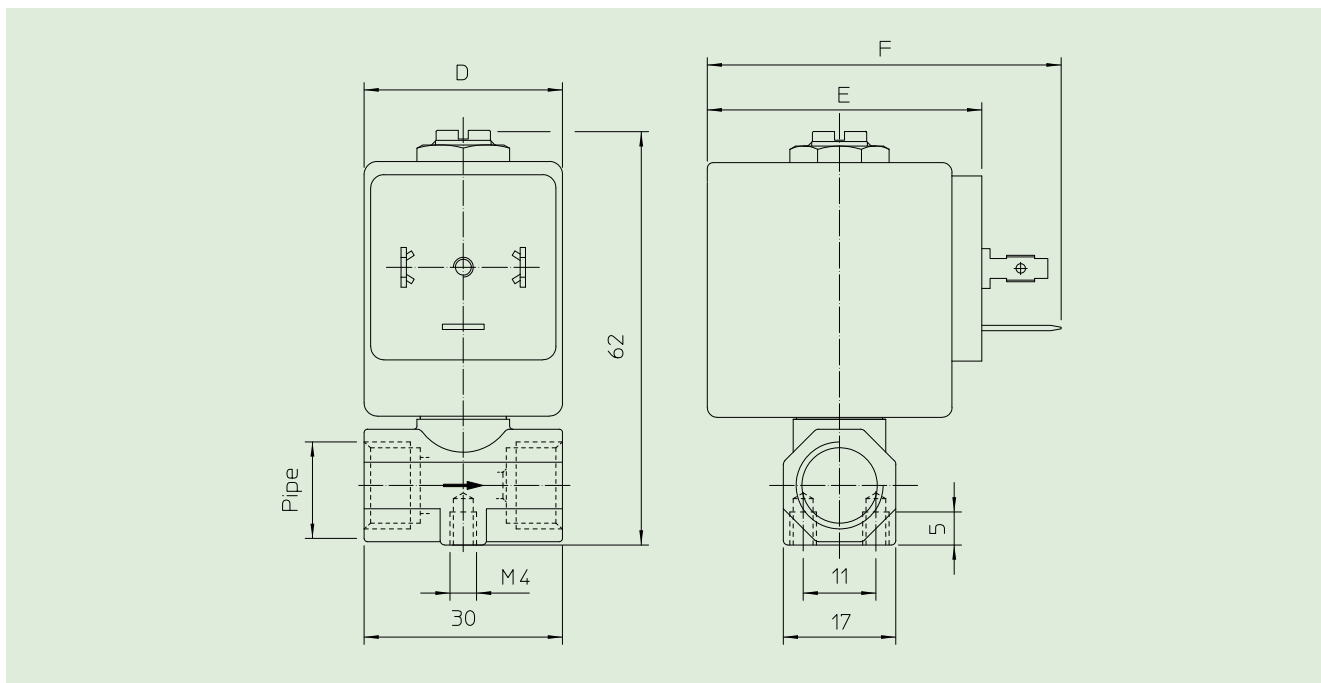
Electrical conformity	IEC 335
Protection degree	IP 65 EN 60529 (DIN 40050) with coil fitted by connector

SPARE PARTS:

- Coil:**
See coils list
- Gasket O-Ring:**
Code R990023/V
- Complete plunger:**
Code R450768/V



DIMENSIONS:



Type	Pipe ISO 228/1
21T1BV....-F	G 1/8
21T2BV....-F	G 1/4

COIL TYPE	POWER ABSORPTION			DIMENSIONS		
	W ==	Hold VA ~	Inrush VA ~	D mm	E mm	F mm
B	8	14,5	25	30	42	54



Solenoid valve 2/2 way N.C. Direct acting

21T2BB40-F-AP

PRESENTATION:

Direct acting S.V. for interception of fluids compatible with the construction materials.

Minimum operational pressure is not required.

The materials used and the tests carried out ensure maximum reliability and duration.

USE: Automation
Heating

PIPES: G 1/4

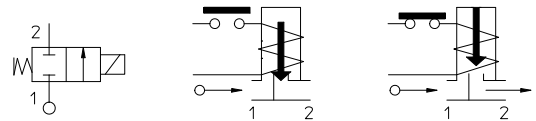
COILS: 8W - Ø 13
BDA08230AS 155°C (class F)
230V/50Hz

MOULDING AND BOBBIN ARE MADE BY 100% VIRGIN MATERIAL.

Max. allowable pressure (PS) 30 bar
Working temperatures - 15°C + 80°C



Gaskets	Temperature		Medium
B=NBR (nitrile rubber)	- 10°C	+ 90°C	Combustible gas



Pipe ISO 228/1	Code	Max viscosity		Ø mm	Kv l/mn	Power (watt)	Pressure		
		cSt	°E				min bar	M.O.P.D. AC bar DC bar	
G 1/4	21T2BB40-F-AP	53	~ 7	4	5	8	0	2	-

APPROVED

 0085AR0386

ODE S.r.l.
 Made in Italy
 MODELL: 21T2BB40-F-AP
 UMG.TEMPERATUR: -15÷+80°C
 KLASSE: A
 Produkt-ID-Nummer:
 CE-0085AR0386
 MAX BETRIEBSDRUCK: 2 BAR
 NENNDRUCKSTUFE: PN 30
 SCHUTZART: IP 54
 14 VA 100% ED
 230V/50Hz

The "ODE" reserves the right to carry out technical and aesthetic modifications without prior notification.

MATERIALS

Body	Brass - UNI EN 12165 CW617N
Incorporated armature tube	Brass - UNI EN 12165 CW617N
Fixed core	Stainless steel AISI series 400
Plunger	Stainless steel AISI series 400
Phase displacement ring	Copper - Cu 99,9%
Spring	Stainless steel AISI series 300
Seal	B=NBR
Orifice	Brass - UNI EN 12165 CW617N

On request:

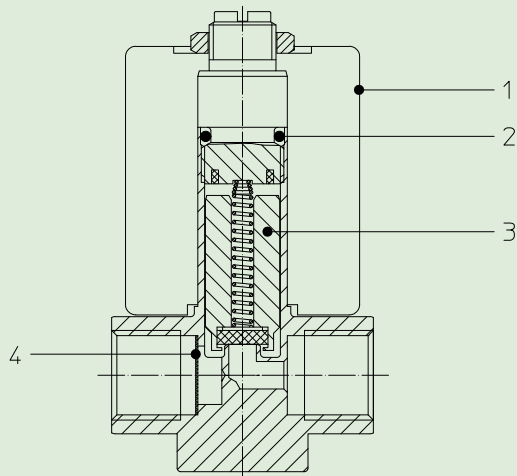
Connector	Pg 9 or Pg 11
Connector conformity	ISO 4400

FEATURES:

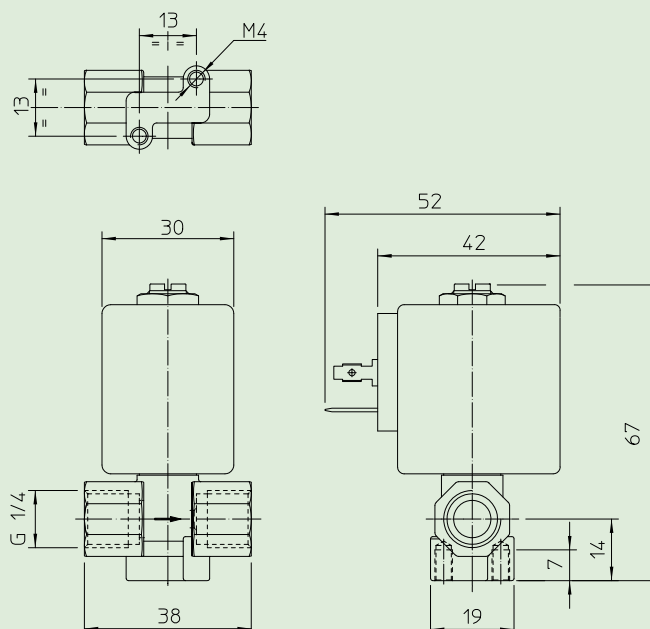
Electrical conformity	IEC 335
Protection degree	IP 65 EN 60529 (DIN 40050) with coil fitted by connector.

SPARE PARTS:

- Coil:**
BDA08230AS
- Gasket O-Ring:**
Code R990023/BS
- Complete plunger:**
Code R450768/BS
- Filter:**
Code R450482



DIMENSIONS:



COIL TYPE	POWER ABSORPTION		
	W	Hold VA ~	Inrush VA ~
B	8	14,5	25