



Solenoid valve 3/2 way N.C. Direct acting

31A3AV10
÷
31A2AV30

PRESENTATION:

Direct acting S.V. for interception of fluids compatible with the construction materials.

Minimum operational pressure is not required.

The materials used and the tests carried out ensure maximum reliability and duration.

USE: Automation
Heating

PIPES: G 1/8 - G 1/4

COILS: 8W - Ø 13
BDA - BDS - BSA 155°C (class F)
BDF - BDV 180°C (class H)
(1) Explosion-proof housing for coils with electrical connections EN 175301-803 on request

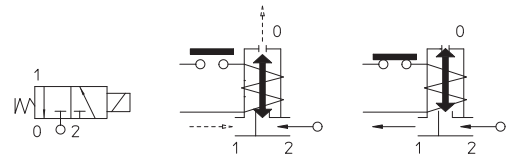
MOULDING AND BOBBIN ARE MADE BY 100% VIRGIN MATERIAL.

Max. allowable pressure (PS) 40 bar
Ambient temperature:
with coil class **F** - 10°C + 60°C
with coil class **H** - 10°C + 80°C



Gaskets	Temperature		Medium
	- 10°C	+140°C	
V=FKM (fluoroelastomer)	- 10°C	+140°C	Mineral oils (2°E), gasoline, gas oil
B=NBR (nitrile rubber)	- 10°C	+ 90°C	Air, inert gas, water

For seals other than FKM replace the letter "V" with the ones corresponding to the other seals. E.I. 31A3AB15.



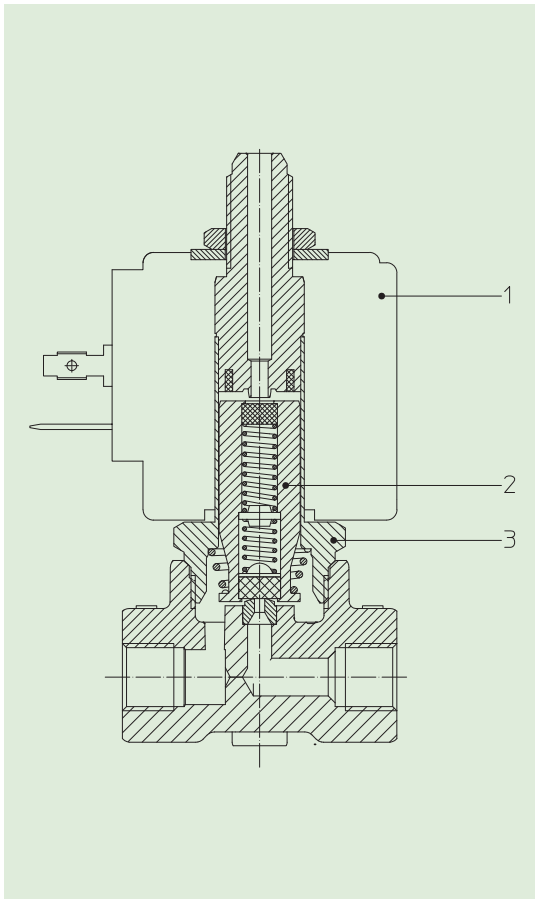
Pipe ISO 228/1	Code	Max viscosity		Ø mm	Kv l/mn	Power (watt)	Pressure		
		cSt	°E				min bar	M.O.P.D.	
								AC bar	DC bar
G 1/8	31A3AV10	12	~ 2	1*	0,45	8	0	20	20
	31A3AV15			1,5*	1,4			15	15
	31A3AV20	37	~ 5	2*	2			10	10
	31A3AV25	53	~ 7	2,5*	3,2			6	6
	31A3AV30			3*	4			5	5
G 1/4	31A2AV10	12	~ 2	1*	0,45	8	0	20	20
	31A2AV15			1,5*	1,4			15	15
	31A2AV20	37	~ 5	2*	2			10	10
	31A2AV25	53	~ 7	2,5*	3,2			6	6
	31A2AV30			3*	4			5	5

Note

* 3rd way exhaust= Ø 2,5 mm

Also available with brass body without lead.

The "ODE" reserves the right to carry out technical and aesthetic modifications without prior notification.



MATERIALS:

- Body** Brass - UNI EN 12165 CW617N
- Armature tube** Stainless steel AISI series 300
- Fixed core** Stainless steel AISI series 400
- Plunger** Stainless steel AISI series 400
- Phase displacement ring** Copper - Cu 99,9%
- Spring** Stainless steel AISI series 300
- Seal** Standard: V=FKM
On request: B=NBR
- Orifice: Insert slot** Stainless steel AISI series 300

On request:

- Connector** Pg 9 or Pg 11
- Connector conformity** ISO 4400

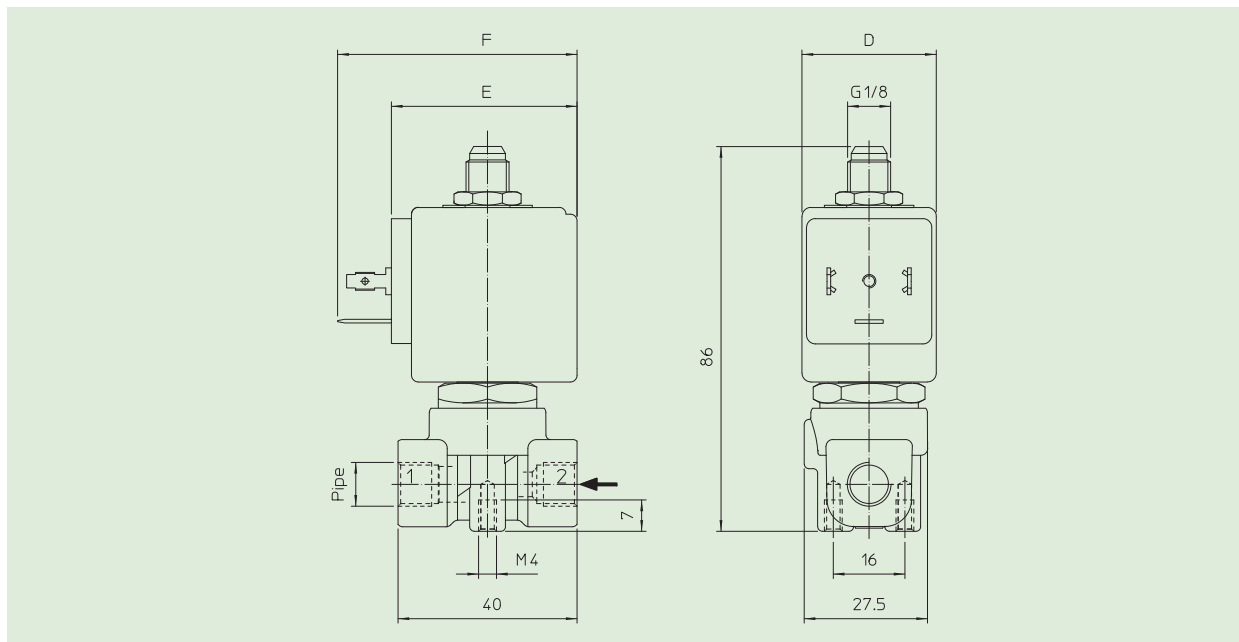
FEATURES:

- Electrical conformity** IEC 335
- Protection degree** IP 65 EN 60529 (DIN 40050)
with coil fitted by connector

SPARE PARTS

- 1. Coil:** See coils list **KIT:** KT130AV30-A=2+3
- 2. Complete plunger:** Code R450675/V
- 3. Complete armature tube:** Code R450944

DIMENSIONS:



Type	Pipe ISO 228/1
31A3AV	G 1/8
31A2AV	G 1/4

COIL TYPE	POWER ABSORPTION			DIMENSIONS		
	W =	Hold VA ~	Inrush VA ~	D mm	E mm	F mm
B	8	14,5	25	30	42	54



Solenoid valve 3/2 way N.C. Direct acting

31A3AR10
÷
31A2AR25

PRESENTATION:

Direct acting S.V. for interception of fluids compatible with the construction materials.

Minimum operational pressure is not required.

The materials used and the tests carried out ensure maximum reliability and duration.

USE: Automation
Heating

COILS: G 1/8 - G 1/4

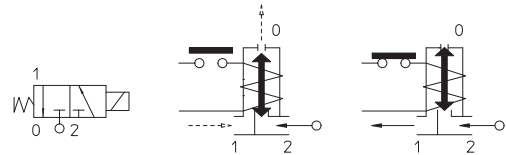
PIPES: 8W - Ø 13
BDA - BDS - BSA 155°C (class F)
BDF - BDV 180°C (class H)

MOULDING AND BOBBIN ARE MADE BY 100% VIRGIN MATERIAL.

Max. allowable pressure (PS) 40 bar
Ambient temperature:
with coil class **F** - 40°C + 60°C
with coil class **H** - 40°C + 80°C



Gaskets	Temperature		Medium
R=RUBY	- 40°C	+ 180°C	Steam, water, mineral oils (2°E), gas oil, fuel oils (7°E)



Pipe ISO 228/1	Code	Max viscosity		Ø mm	Kv l/mn	Power (watt)	Pressure				
		cSt	°E				min bar	M.O.P.D. AC bar DC bar			
G 1/8	31A3AR10	12	~ 2	1*	0,45	8	0	20	20		
	31A3AR15			1,5*	1,4			15	15		
	31A3AR20	37	~ 5	2*	2			10	10		
	31A3AR25	53	~ 7	2,5*	3,2			6	6		
G 1/4	31A2AR10	12	~ 2	1*	0,45			8	0	20	20
	31A2AR15			1,5*	1,4					15	15
	31A2AR20	37	~ 5	2*	2					10	10
	31A2AR25	53	~ 7	2,5*	3,2					6	6

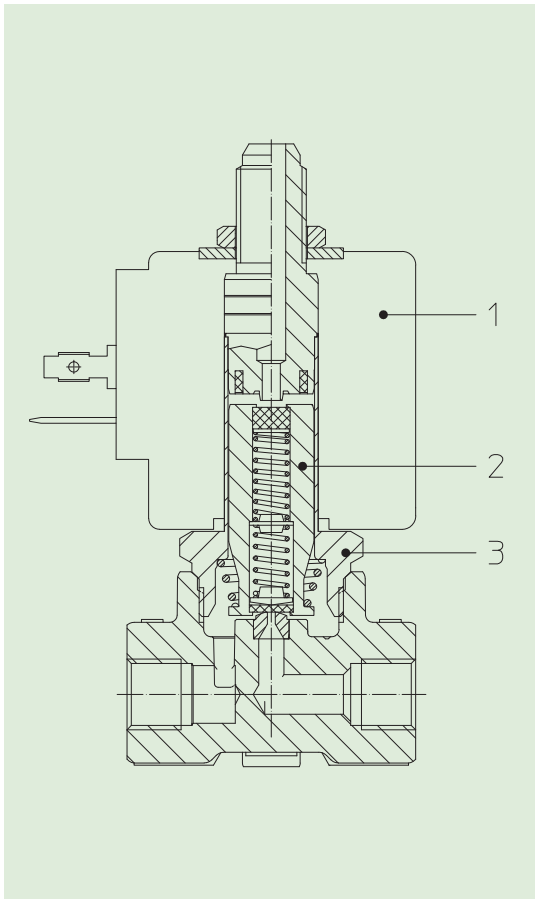
Note

* 3rd way exhaust= Ø 2,5 mm

Also available with brass body without lead.

The use of rigid sealings usually implies a slight leakage, limited within 2scc/min at the pressure of 1 bar.

The "ODE" reserves the right to carry out technical and aesthetic modifications without prior notification.



MATERIALS:

- Body** Brass - UNI EN 12165 CW617N
- Armature tube** Stainless steel AISI series 300
- Fixed core** Stainless steel AISI series 400
- Plunger** Stainless steel AISI series 400
- Phase displacement ring** Copper - Cu 99,9%
- Spring** Stainless steel AISI series 300
- Seal** R=RUBY
- Orifice: Insert slot** Stainless steel AISI series 300

On request:

- Connector** Pg 9 or Pg 11
- Connector conformity** ISO 4400

FEATURES:

- Electrical conformity** IEC 335
- Protection degree** IP 65 EN 60529 (DIN 40050)
with coil fitted by connector

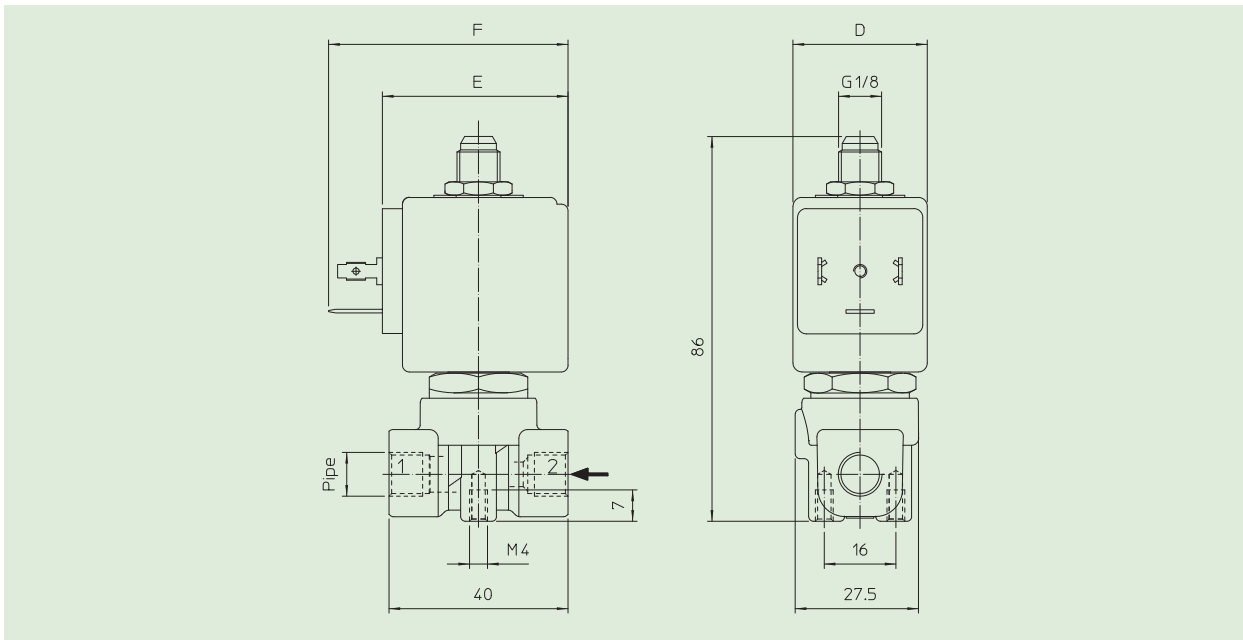
SPARE PARTS:

- 1. Coil:**
See coils list
- 2. Complete plunger:**
Code R450873
- 3. Complete armature tube:**
Code R450944/AL

KIT:

KT130AR30-A=2+3

DIMENSIONS:



Type	Pipe ISO 228/1
31A3AR	G 1/8
31A2AR	G 1/4

COIL TYPE	POWER ABSORPTION			DIMENSIONS		
	W =	Hold VA ~	Inrush VA ~	D mm	E mm	F mm
B	8	14,5	25	30	42	54



Solenoid valve 3/2 way N.C. Direct acting

31A3CV15

PRESENTATION:

Direct acting S.V. for interception of fluids compatible with the construction materials.

Minimum operational pressure is not required.

The materials used and the tests carried out ensure maximum reliability and duration.

USE: Automation
Heating

PIPES: G 1/8

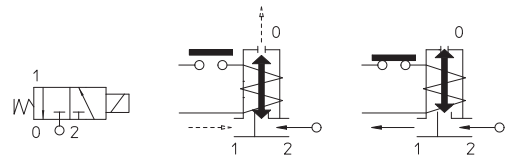
COILS: 8W - Ø 13
BDA - BDS - BSA 155°C (class F)
BDF - BDV 180°C (class H)

MOULDING AND BOBBIN ARE MADE BY 100% VIRGIN MATERIAL.

Max. allowable pressure (PS) 40 bar
Ambient temperature:
with coil class F - 10°C + 60°C
with coil class H - 10°C + 80°C



Gaskets	Temperature	Medium
V=FKM (fluoroelastomer)	- 10°C + 140°C	Mineral oils (2°E), gasoline gas oil



Pipe ISO 228/1	Code	Max viscosity		Ø mm	Kv l/mn	Power (watt)	Pressure		
		cSt	°E				min bar	M.O.P.D. AC bar DC bar	
G 1/8	31A3CV15	12	~ 2	1,5*	1,4	8	0	15	15

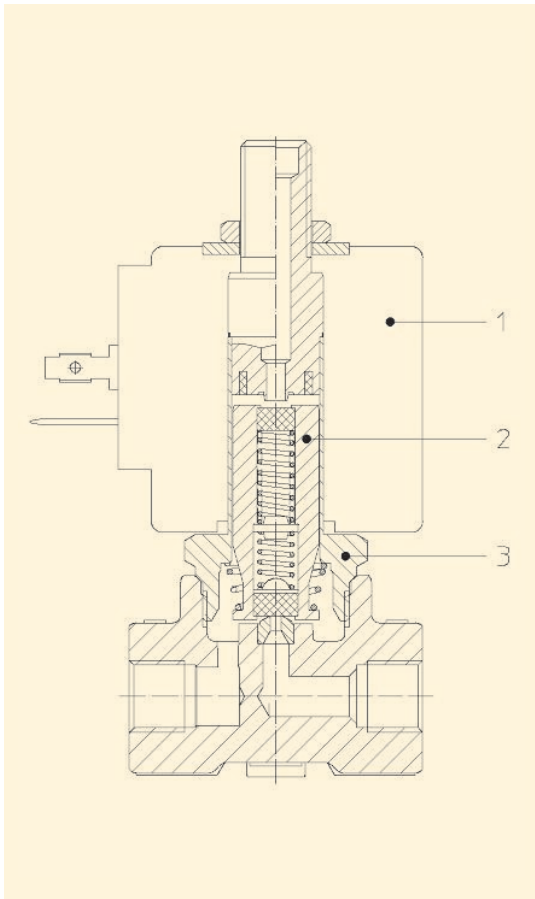
Note

* 3rd way exhaust = Ø 2,5 mm

Available also with brass body without lead.

Available on request and with minimum quantities.

The "ODE" reserves the right to carry out technical and aesthetic modifications without prior notification.



MATERIALS:

- Body** Brass - UNI EN 12165 CW617N
- Armature tube** Stainless steel AISI series 300
- Fixed core** Stainless steel AISI series 400
- Plunger** Stainless steel AISI series 400
- Phase displacement ring** Copper - Cu 99,9%
- Spring** Stainless steel AISI series 300
- Seal** V=FKM
- Orifice: Insert slot** Stainless steel AISI series 300

On request:

- Connector** Pg 9 or Pg 11
- Connector conformity** ISO 4400

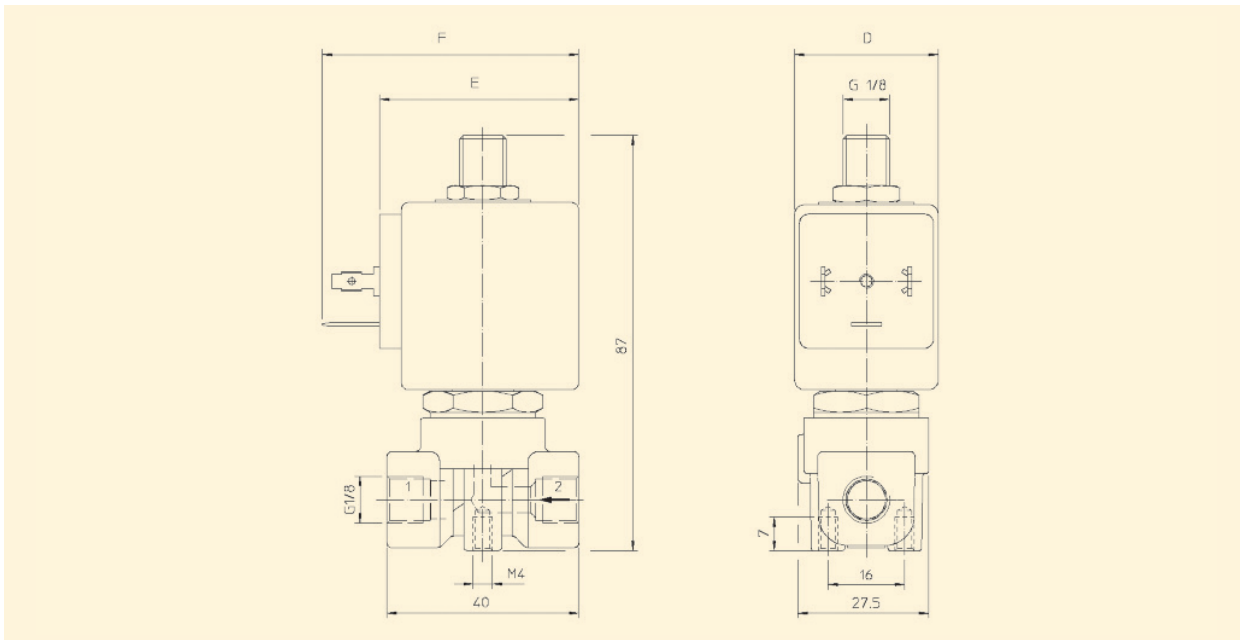
SPARE PARTS:

- Electrical conformity** IEC 335
- Protection degree** IP 65 EN 60529 (DIN 40050) with coil fitted by connector.

SPARE PARTS:

- 1. Coil:** KIT
See coils list
- 2. Complete plunger:** KT130CV30-A=2+3
Code R450675/V
- 3. Complete armature tube:**
Code R451229

DIMENSIONS:



COIL TYPE	POWER ABSORPTION			DIMENSIONS		
	W ---	Hold VA ~	Inrush VA ~	D mm	E mm	F mm
B	8	14,5	25	30	42	54